

P.I.T.

PSR18-D3



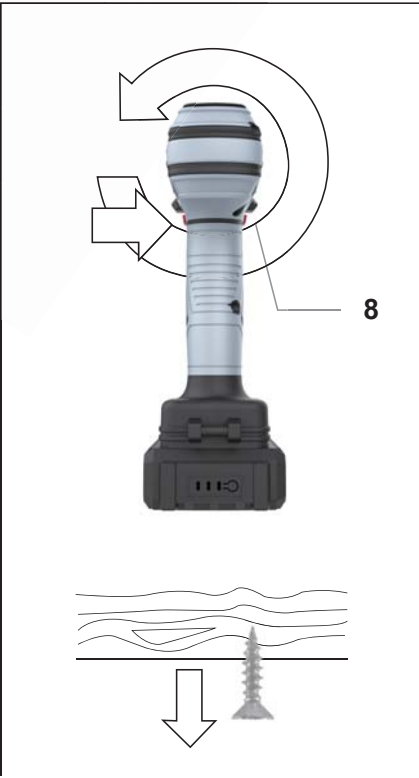
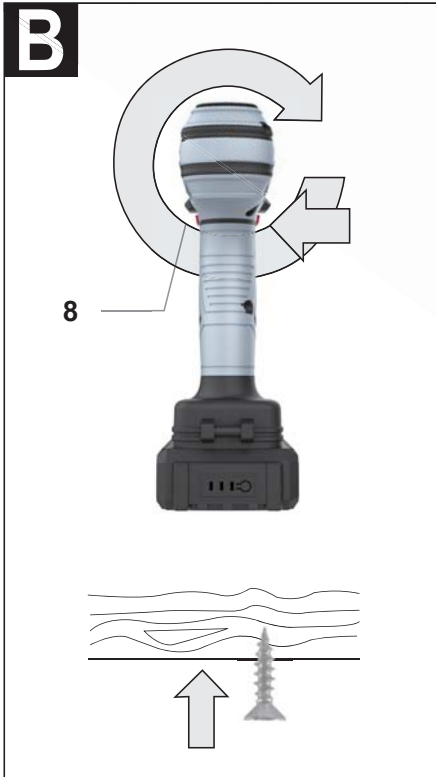
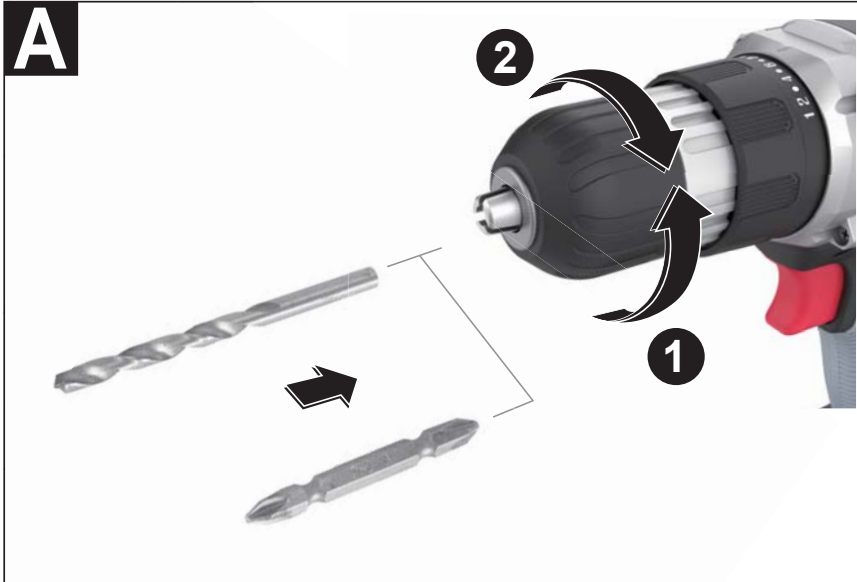
CORDLESS DRILL
ДРЕЛЬ АККУМУЛЯТОРНАЯ

20V

Please read the instruction manual carefully before use!
Пожалуйста, внимательно прочтите инструкцию перед использованием!







English

Safety Notes

General power tool safety warnings



WARNING Read all safety warnings and all instructions.

Failure to follow the warnings and instructions may result in electric shock, fire and/or serious injury.

Save all warnings and instructions for future reference. The term "power tool" in the warnings refers to your mainsoperated (corded) power tool or battery-operated (cordless) power tool.

Work area safety

- ▶ **Keep work area clean and well lit.** Cluttered or dark areas invite accidents.
- ▶ **Do not operate power tools in explosive atmospheres, such as in the presence of flammable liquids, gases or dust.** Power tools create sparks which may ignite the dust or fumes.
- ▶ **Keep children and bystanders away while operating a power tool.** Distractions can cause you to lose control.

Electrical safety

- ▶ **Power tool plugs must match the outlet. Never modify the plug in any way. Do not use any adapter plugs with earthed (grounded) power tools.** Unmodified plugs and matching outlets will reduce risk of electric shock.
- ▶ **Avoid body contact with earthed or grounded surfaces, such as pipes, radiators, ranges and refrigerators.** There is an increased risk of electric shock if your body is earthed or grounded.
- ▶ **Do not expose power tools to rain or wet conditions.** Water entering a power tool will increase the risk of electric shock.
- ▶ **Do not abuse the cord. Never use the cord for carrying, pulling or unplugging the power tool. Keep cord away from heat, oil, sharp edges and moving parts.** Damaged or entangled cords increase the risk of electric shock.
- ▶ **When operating a power tool outdoors, use an extension cord suitable for outdoor use.** Use of a cord suitable for outdoor use reduces the risk of electric shock.
- ▶ **If operating a power tool in a damp location is unavoidable, use a residual current device (RCD) protected supply.** Use of an RCD reduces the risk of electric shock.

Personal safety

- ▶ **Stay alert, watch what you are doing and use common sense when operating a power tool. Do not use a power tool while you are tired or under the influence of drugs, alcohol or medication.** A moment of inattention while operating power tools may result in serious personal injury.
 - ▶ **Use personal protective equipment. Always wear eye protection.** Protective equipment such as dust mask, nonskid safety shoes, hard hat, or hearing protection used for appropriate conditions will reduce personal injuries.
 - ▶ **Prevent unintentional starting. Ensure the switch is in the off-position before connecting to power source and/or battery pack, picking up or carrying the tool.** Carrying power tools with your finger on the switch or energising power tools that have the switch on invites accidents.
 - ▶ **Remove any adjusting key or wrench before turning the power tool on.** A wrench or a key left attached to a rotating part of the power tool may result in personal injury.
 - ▶ **Do not overreach. Keep proper footing and balance at all times.** This enables better control of the power tool in unexpected situations.
 - ▶ **Dress properly. Do not wear loose clothing or jewellery. Keep your hair, clothing and gloves away from moving parts.** Loose clothes, jewellery or long hair can be caught in moving parts.
 - ▶ **If devices are provided for the connection of dust extraction and collection facilities, ensure these are connected and properly used.** Use of dust collection can reduce dust-related hazards.
- ### Power tool use and care
- ▶ **Do not force the power tool. Use the correct power tool for your application.** The correct power tool will do the job better and safer at the rate for which it was designed.
 - ▶ **Do not use the power tool if the switch does not turn it on and off.** Any power tool that cannot be controlled with the switch is dangerous and must be repaired.
 - ▶ **Disconnect the plug from the power source and/or the battery pack from the power tool before making any adjustments, changing accessories, or stor-**

ing power tools. Such preventive safety measures reduce the risk of starting the power tool accidentally.

- ▶ **Store idle power tools out of the reach of children and do not allow persons unfamiliar with the power tool or these instructions to operate the power tool.** Power tools are dangerous in the hands of untrained users.
- ▶ **Maintain power tools. Check for misalignment or binding of moving parts, breakage of parts and any other condition that may affect the power tool's operation. If damaged, have the power tool repaired before use.** Many accidents are caused by poorly maintained power tools.
- ▶ **Keep cutting tools sharp and clean.** Properly maintained cutting tools with sharp cutting edges are less likely to bind and are easier to control.
- ▶ **Use the power tool, accessories and tool bits etc. in accordance with these instructions, taking into account the working conditions and the work to be performed.** Use of the power tool for operations different from those intended could result in a hazardous situation.

Battery tool use and care


- ▶ **Recharge only with the charger specified by the manufacturer.** A charger that is suitable for one type of battery pack may create a risk of fire when used with another battery pack.
- ▶ **Use power tools only with specifically designated battery packs.** Use of any other battery packs may create a risk of injury and fire.
- ▶ **When battery pack is not in use, keep it away from other metal objects, like paper clips, coins, keys, nails, screws or other small metal objects, that can make a connection from one terminal to another.** Shorting the battery terminals together may cause burns or a fire.
- ▶ **Under abusive conditions, liquid may be ejected from the battery; avoid contact. If contact accidentally occurs, flush with water. If liquid contacts eyes, additionally seek medical help.** Liquid ejected from the battery may cause irritation or burns.

Service

- ▶ **Have your power tool serviced by a qualified repair person using only iden-**

tical replacement parts. This will ensure that the safety of the power tool is maintained.


Safety warnings for drills and screwdrivers

- ▶ **Wear ear protectors when impact drilling.** Exposure to noise can cause hearing loss.
 - ▶ **Hold power tool by insulated gripping surfaces when performing an operation where the cutting accessory or fastener may contact hidden wiring.** Cutting accessory and fasteners contacting a "live" wire may make exposed metal parts of the power tool "live" and could give the operator an electric shock.
 - ▶ **Use auxiliary handle(s), if supplied with the tool.** Loss of control can cause personal injury.
 - ▶ **Use appropriate detectors to determine if utility lines are hidden in the work area or call the local utility company for assistance.** Contact with electric lines can lead to fire and electric shock. Damaging a gas line can lead to explosion. Penetrating a water line causes property damage.
 - ▶ **Switch off the power tool immediately when the tool is jams. Be prepared for high reaction torque that can cause kickback.**
 - ▶ **Hold the machine with a firm grip.** High reaction torque can briefly occur while driving in and loosening screws.
 - ▶ **Secure the workpiece.** A workpiece clamped with clamping devices or in a vice is held more secure than by hand.
 - ▶ **Always wait until the machine has come to a complete stop before placing it down.** The tool insert can jam and lead to loss of control over the power tool.
 - ▶ **Do not open the battery.** Danger of short-circuiting.
- 

Protect the battery against heat, e. g., against continuous intense sunlight, fire, water, and moisture. Danger of explosion.
- ▶ **In case of damage and improper use of the battery, vapours may be emitted. Ventilate the area and seek medical help in case of complaints.** The vapours can irritate the respiratory system.
 - ▶ **Use the battery only in conjunction with your P.I.T. power tool.** This measure alone protects the battery against dangerous overload.

- ▶ **The battery can be damaged by pointed objects such as nails or screwdrivers or by force applied externally.** An internal short circuit can occur and the battery can burn, smoke, explode or overheat.
- ▶ **The battery is supplied partially charged. To ensure full battery capacity, completely charge the battery in the battery charger before using for the first time.**
- ▶ **Read the operating instructions of the battery charger.**
- ▶ **Adjust the gear switch only when the machine is at a complete stop.**
- ▶ **Always push the gear selector and turn the operating mode selector switch through to the stop.** Otherwise, the machine can become damaged.

Product Description and Specifications

 **Read all safety warnings and all instructions.** Failure to follow the warnings and instructions may result in electric shock, fire and/or serious injury.

Intended use

The machine is intended for driving in and loosening screws as well as for drilling in wood, metal, ceramics and plastic. GSB machines are additionally intended for deep drilling in bricks, brickwork and masonry. The light of this power tool is intended to illuminate the power tool's direct area of working operation and is not suitable for household room illumination.

Technical Data

Model	PSR18-D3
Voltage	DC 20 V
Torque Gears	20+1
Chuck Max Capacity	Ø0.8-10mm (3/8")
Speed	0-350/1350 r/min
Max.torque	30 N·m (266 in·lbf)
Weight	2.2 kg

Note

In text and numbers, may technical errors and mistakes be made chat rooms. As the product is constantly being improved, P.I.T. reserves the right to make changes to the specifications and equipment of the product specified here without prior notice.

Product features

The numbering of the product features refers to the illustration of the machine on the graphice page.

- (1) Tool holder
- (2) Keyless chuck
- (3) Torque presetting ring
- (4) Gear selector
- (5) Battery pack
- (6) Battery unlocking button
- (7) Worklight
- (8) Rotational direction switch
- (9) On/Off switch
- (10) Handle (insulated gripping surface)

Contents of delivery

Cordless drill	1 pc
Lithium Battery	2 pcs
Charger	1 pc
Screwdriver bits	1 set
Adapter	1 pc
Instruction manual	1 pc
Drill for wood	1 pc
Drill for metal	1 pc

Assembly

Battery Charging

Note: The battery supplied is partially charged. To ensure full capacity of the battery, completely charge the battery in the battery charger before using your power tool for the first time.

The lithium ion battery can be charged at any time without reducing its service life. Interrupting the charging procedure does not damage the battery.

The lithium-ion battery is protected against deep discharge by the "Electronic Cell Protection (ECP)" system. The protective circuit switches off the power tool when the battery is discharged - the working tool stops.

- ▶ **Do not continue to press the On/Off switch after the machine has been automatically switched off.** The battery can be damaged.

Removing the battery

The battery is equipped with two locking levels that should prevent the battery from falling out when pushing the battery unlocking button unintentionally. As long as the battery is inserted in the power tool, it is held in position by means of a spring.



To remove the battery, press the unlocking button and pull the battery toward the front. **Do not exert any force.**

Changing the Tool (see figure A)

- ▶ Before any work on the machine itself (e. g. maintenance, tool change, etc.) as well as during transport and storage, remove the battery from the power tool. There is danger of injury when unintentionally actuating the On/Off switch.

Open the keyless chuck by turning in rotation direction **1** , until the tool can be inserted. Insert the tool.

Firmly tighten the collar of the keyless chuck 2 by hand in rotation direction **2** . This automatically locks the drill chuck.

Dust/Chip Extraction

- ▶ **Dust from materials such as lead-containing coatings, some wood types, minerals and metal can be harmful to one's health and cause allergic reactions, lead to respiratory infections and/or cancer.** Materials containing asbestos may only be worked by specialists.
 - Provide for good ventilation of the working place.
 - It is recommended to wear a P2 filter-class respirator. Observe the relevant regulations in your country for the materials to be worked.
- ▶ **Prevent dust accumulation at the work-place.** Dust can easily ignite.

Operation

Starting Operation

Inserting the battery

Note: Use of batteries not suitable for the machine can lead to malfunctions of or cause damage to the power tool.

Set the rotational direction switch to the center position in order to avoid unintentional starting. Insert the charged battery into the handle so that it can be felt to engage and faces flush against the handle.

Reversing the rotational direction (see figure B)

The rotational direction switch is used to reverse the rotational direction of the machine. However, this is not possible with the On/Off switch actuated.

Rotate clockwise: Move the rotational direction switch on both sides up to the stop into position **◀**.

Rotate anticlockwise: Move the rotational direction switch on both sides up to the stop into position **▶**.

Setting the operating mode



Drilling

Set the operating mode selector switch

to the “drilling” symbol.



Screwdriving

Set the torque selector setting ring to the “screwdriving” symbol.

Switching On and Off

To **start** the machine, press the On/Off switch and keep it pressed.

The LED lights up when the On/Off switch is halfway or fully pressed, and enables illumination of the screwing location in unfavorable light conditions.

Adjusting the Speed

The speed of the switched-on power tool can be variably adjusted, depending on how far the On/Off switch is pressed.

Light pressure on the On/Off switch results in a low rotational speed. Further pressure on the switch results in an increase in speed.

Setting the torque

With the torque preselection ring , the required torque can be preselected in 17 steps. The inserted tool is stopped as soon as the set torque is reached.

Gear selection, mechanical

- ▶ **The gear selector can be actuated at standstill or when the machine is running. However, this should not be done while operating at full load or maximum**



speed.

Low speed range; for working with large drilling diameters.



High speed range; for drilling with small drilling diameter.

Temperature Dependent Overload Protection

When using as intended for, the power tool cannot be subject to overload. When the load is too high or the allowable battery temperature range is exceeded, the speed is reduced. The power tool will not run at full speed until reaching the allowable battery temperature.

Protection Against Deep Discharging

The lithium-ion battery is protected against deep discharging. When the battery is empty, the machine is switched off by means of a protective circuit: The inserted tool no longer rotates.

Rapid Shut-off

The rapid shut-off feature enables better control of the power tool. The power tool shuts off in case of sudden and unexpected rotation of the power tool around the drilling axis.

The rapid shut-off feature is indicated by a flashing LED on the power tool.

To **restart the machine**, release the On/Off switch and then actuate again.

▶ **Rapid shut-off can trigger only when the power tool is running at maximum operating speed and can rotate freely around the drill bit axis.** Choose a suitable work position for this. Otherwise, rapid shut-off will not be ensured.

Working Advice

▶ **Apply the power tool to the screw only when it is switched off.** Rotating tool inserts can slip off.

An auxiliary tool can be used to remove the screwdriver bit or universal bit holder.

Maintenance and Service

Maintenance and Cleaning



▶ **Before any work on the machine itself (e. g. maintenance, tool change, etc.) as well as during transport and storage, remove the battery from the power tool.**

There is danger of injury when unintentionally actuating the On/Off switch.

▶ **For safe and proper working, always keep the machine and ventilation slots clean.**

When the battery is no longer operative, please refer to an authorized after-sales service agent for P.I.T. power tools.

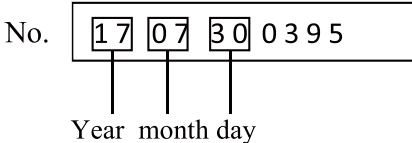
Dispose of waste

 Damaged power tools, batteries, accessories and waste packaging materials  must be recycled and reused in an environmentally friendly manner.

Do not throw power tools and accumulators / batteries into general household waste!

Product serial number interpretation

serial number



The first and second digits of the product serial number from left to right

Year of production, the third and fourth digits indicate the month of production, the

The fifth and sixth digits indicate the production day.

TERMS OF WARRANTY SERVICE

1. This Warranty Certificate is the only document that confirms your right to free warranty service. Without presenting this certificate, no claims are accepted. In case of loss or dam-

age, the warranty certificate is not restored.

2. The warranty period for the electric machine is 12 months from the date of sale, during the warranty period the service department eliminates manufacturing defects and replaces parts that have failed due to the fault of the manufacturer free of charge. In the warranty repair, an equivalent operable product is not provided. Replaceable parts become property of service providers.

P.I.T is not liable for any damage that may be caused by operation of the electric machine.

3. Only clean tool accompanied with the following duly executed documents: this Warranty Certificate, Warranty Card, with all fields filled out, bearing the stamp of the trade organization and the signature of the buyer, shall be accepted for warranty repair.

4. Warranty repair is not performed in the following cases:

- in the absence of a Warranty Certificate and a Warranty Card or their incorrect execution;
- with failure of both a rotor and a stator of the electric engine, charring or melting of primary winding of the welding machine transformer, charging or starting-charging device, with internal parts melting, burn down of electronic circuit boards;

- if a Warranty Certificate or a Warranty Card does not correspond to this electric machine or to the form established by the supplier;

- upon expiration of the warranty period;
- at attempts of opening or repair of the electric machine outside the warranty workshop; making constructive changes and lubrication of the tool during the warranty period, as evidenced, for example, by the creases on the spline parts of the fasteners of non-rotational parts.

- when using electric tools for production or other purposes connected with making a profit, as well as in case of malfunctions related to instability of the power network parameters exceeding the norms established by GOST;

- in the events of improper operation (use the electric machine for other than intended purposes, attachments to the electric machine of attachments, accessories, etc. not provided by the manufacturer);

- with mechanical damage to the case, power cord and in case of damages caused by aggressive agents and high and low temperatures, ingress of foreign objects in the ventilation grids of the electric machine, as well as in case of damage resulting from improper storage (corrosion of metal parts);

- natural wear and tear on the parts of the electric machine, as a result of long-term operation (determined on the basis of the signs of full or partial depletion of the specified mean life, great contamination, presence of rust outside and inside the electric machine, waste lubricant in the gearbox);
- use of the tool for purposes other than specified in the operating instructions.
- mechanical damages to the tool;
- in the event of damages due to non-observance of the operating conditions specified in the instruction (see chapter "Safety Precautions" of the Manual).
- damage to the product due to non-observance of the rules of storage and transportation.

Preventive maintenance of electric machines (cleaning, washing, lubrication, replacement of anthers, piston and sealing rings) during the warranty period is a paid service.

The service life of the product is 3 years. Shelf life is 2 years. It is not recommended for operation after 2 years of storage from the date of manufacture, which is indicated in the serial number on the label of the instrument, without preliminary verification (for the definition of the date of manufacture, see the User's Manual earlier).

The owner is notified of any possible violations of the above terms of warranty service upon completion of diagnostics in the service center.

The owner of the tool entrusts the diagnostic procedure to be conducted in the service center in his absence.

Do not operate the electric machine when there are signs of excessive heat, sparking, or noise in the gearbox. To determine the cause of the malfunction, the buyer should contact the warranty service center.

Malfunctions caused by late replacement of carbon brushes of the engine are eliminated at the expense of the buyer.

5. The warranty does not cover:

- replacement accessories (accessories and components), for example: batteries, discs, blades, drill bits, borers, chucks, chains, sprockets, collet clamps, guide rails, tension and fastening elements, trimming device heads, base of grinding and belt sander machines, hexagonal heads, etc.,
- fast wearing parts, for example: carbon brushes, drive belts, seals, protective covers, guiding rollers, guides, rubber seals, bearings, toothed belts and wheels, shanks, brake

belts, starter ratchets and ropes, piston rings, etc. Their replacement during the warranty period is a paid service;

- power cords, in case of damage to the insulation, power cords are subject to mandatory replacement without the consent of the owner (paid service);
- tool case.

Русский

Общие указания по технике безопасности для электроинструментов

! **ПРЕДУПРЕЖДЕНИЕ** Прочтите все указания и инструкции по технике безопасности. Несоблюдение указаний и инструкций по технике безопасности может стать причиной поражения электрическим током, пожара и тяжелых травм.

Сохраняйте эти инструкции и указания для будущего использования.

Использованное в настоящих инструкциях и указание понятие «электроинструмент» распространяется на электроинструмент с питанием от сети (с сетевым шнуром) и на аккумуляторный электроинструмент (без сетевого шнура).

Безопасность рабочего места

- ▶ Содержите рабочее место в чистоте и хорошо освещенным. Беспорядок или неосвещенные участки рабочего места могут привести к несчастным случаям.
- ▶ Не работайте с этим электроинструментом во взрывоопасном помещении, в котором находятся горючие жидкости, воспламеняющиеся газы или пыль. Электроинструменты искрят, что может привести к воспламенению пыли или паров.
- ▶ Во время работы с электроинструментом не допускайте близко к Вашему рабочему месту детей и посторонних лиц. Отвлечшись, Вы можете потерять контроль над электроинструментом.

Электробезопасность

- ▶ Штепсельная вилка электроинструмента должна подходить к штепсельной розетке. Ни в коем случае не изменяйте штепсельную вилку. Не применяйте переходные штекеры для электроинструментов с защитным заземлением. Неизмененные штепсельные вилки и подходящие штепсельные розетки снижают риск поражения электротоком.
- ▶ Предотвращайте телесный контакт заземленными поверхностями, как то: с трубами, элементами отопления, кухонными плитами и холодильниками. При заземлении Вашего тела повышается риск поражения электротоком.
- ▶ Защищайте электроинструмент от дождя и сырости. Проникновение воды в электроинструмент повышает риск поражения электротоком.

- ▶ Не разрешается использовать шнур не по назначению, например, для транспортировки или подвески электроинструмента, или для вытягивания вилки из штепсельной розетки. Защищайте шнур от воздействия высоких температур, масла, острых кромок или подвижных частей электроинструмента. Поврежденный или спутанный шнур повышает риск поражения электротоком.
- ▶ При работе с электроинструментом под открытым небом применяйте пригодные для этого кабели-удлинители. Применение пригодного для работы под открытым небом кабеля-удлинителя снижает риск поражения электротоком.
- ▶ Если невозможно избежать применения электроинструмента в сыром помещении, подключайте электроинструмент через устройство защитного отключения. Применение устройства защитного отключения снижает риск электрического поражения.

Безопасность людей

- ▶ Будьте внимательными, следите за тем, что Вы делаете, и продуманно начинайте работу с электроинструментом. Не пользуйтесь электроинструментом в усталом состоянии или если Вы находитесь в состоянии наркотического или алкогольного опьянения или под воздействием лекарств. Один момент невнимательности при работе с электроинструментом может привести к серьезным травмам.
- ▶ Применяйте средства индивидуальной защиты и всегда защитные очки. Использование средств индивидуальной защиты, как то: защитной маски, обуви на нескользящей подошве, защитного шлема или средств защиты органов слуха, в зависимости от вида работы с электроинструментом снижает риск получения травм.
- ▶ Предотвращайте непреднамеренное включение электроинструмента. Перед подключением электроинструмента к электропитанию и/или к аккумулятору убедитесь в выключенном состоянии электроинструмента. Удержание пальца на выключателе при транспортировке электроинструмента и подключение к сети питания включенного электроинструмента чревато не-

случаями.

- ▶ **Убирайте установочный инструмент или гаечные ключи до включения электроинструмента.** Инструмент или ключ, находящийся во вращающейся части электроинструмента, может привести к травмам.
- ▶ **Не принимайте неестественное положение корпуса тела. Всегда занимайте устойчивое положение и сохраняйте равновесие.** Благодаря этому Вы можете лучше контролировать электроинструмент в неожиданных ситуациях.
- ▶ **Носите подходящую рабочую одежду. Не носите широкую одежду и украшения. Держите волосы, одежду и рукавицы вдали от движущихся частей.** Широкая одежда, украшения или длинные волосы могут быть затянuty вращающимися частями.
- ▶ **При наличии возможности установки пылеотсасывающих и пылесборных устройств проверяйте их присоединение и правильное использование.** Применение пылесоса может снизить опасность, создаваемую пылью.
- ▶ **ВНИМАНИЕ! В случае возникновения перебоя в работе электроинструмента вследствие полного или частичного прекращения энергоснабжения или повреждения цепи управления энергоснабжением установите выключатель в положение Выкл., убедившись, что он не заблокирован (при его наличии). Отключите сетевую вилку от розетки или отсоедините съёмный аккумулятор.** Этим предотвращается неконтролируемый повторный запуск.

Применение электроинструмента и обращение с ним

- ▶ **Не перегружайте электроинструмент. Используйте для Вашей работы предназначенный для этого электроинструмент.** С подходящим электроинструментом Вы работаете лучше и надежнее в указанном диапазоне мощности.
- ▶ **Не работайте с электроинструментом при неисправном выключателе.** Электроинструмент, который не поддается включению или выключению, опасен и должен быть отремонтирован.
- ▶ **До начала наладки электроин-**

струмента, перед заменой принадлежностей и прекращением работы отключайте штепсельную вилку от розетки сети и/или выньте аккумулятор. Эта мера предосторожности предотвращает непреднамеренное включение электроинструмента.

- ▶ **Храните электроинструменты в недоступном для детей месте. Не разрешайте пользоваться электроинструментом лицам, которые не знакомы с ним или не читали настоящих инструкций.** Электроинструменты опасны в руках неопытных лиц.
- ▶ **Тщательно ухаживайте за электроинструментом. Проверяйте безупречную функцию и ход движущихся частей электроинструмента, отсутствие поломок или повреждений, отрицательно влияющих на функцию электроинструмента. Поврежденные части должны быть отремонтированы до использования электроинструмента.** Плохое обслуживание электроинструментов является причиной большого числа несчастных случаев.
- ▶ **Держите режущий инструмент в заточенном и чистом состоянии.** Заботливо ухоженные режущие инструменты с острыми режущими кромками режут заклиниваются и их легче вести.
- ▶ **Применяйте электроинструмент, принадлежности, рабочие инструменты и т. п. в соответствии с настоящими инструкциями.** Учитывайте при этом рабочие условия и выполняемую работу. Использование электроинструментов для непредусмотренных работ может привести к опасным ситуациям.

Применение и обслуживание аккумулятора

- ▶ **Заряжайте аккумуляторы только в зарядных устройствах, рекомендуемых изготовителем.** Зарядное устройство, предусмотренное для определенного вида аккумуляторов, может привести к пожарной опасности при использовании его с другими аккумуляторами.
- ▶ **Применяйте в электроинструментах только предусмотренные для этого аккумуляторы.** Использование других аккумуляторов может привести к травмам и пожарной опасности.
- ▶ **Защищайте неиспользуемый аккумулятор от канцелярских скрепок,**

монет, ключей, гвоздей, винтов и других маленьких металлических предметов, которые могут закоротить полюса. Короткое замыкание полюсов аккумулятора может привести к ожогам или пожару.

- ▶ При неправильном использовании из аккумулятора может потечь жидкость. Избегайте соприкосновения с ней. При случайном контакте промойте соответствующее место водой. Если эта жидкость попадет в глаза, то дополнительно обратитесь за помощью к врачу. Вытекающая аккумуляторная жидкость может привести к раздражению кожи или к ожогам.

Сервис

- ▶ Ремонт Вашего электроинструмента поручайте только квалифицированному персоналу и только с применением оригинальных запасных частей. Этим обеспечивается безопасность электроинструмента.



Указания по технике безопасности для электродрелей и шуруповертов

- ▶ При ударном сверлении одевайте наушники. Шум может повредить слух.
- ▶ При выполнении работ, при которых рабочий инструмент или шуруп может задеть скрытую электропроводку, держите электроинструмент за изолированные ручки. Контакт с находящейся под напряжением проводкой может заряжать металлические части электроинструмента и приводить к удару электрическим током.
- ▶ Используйте прилагающиеся к электроинструменту дополнительные ручки. Потеря контроля может иметь своим следствием телесные повреждения.
- ▶ Применяйте соответствующие металлоискатели для нахождения скрытых систем электро, газо и водоснабжения или обращайтесь за справкой в местное предприятие коммунального снабжения. Контакт с электропроводкой может привести к пожару и поражению электротоком. Повреждение газопровода может привести к взрыву. Повреждение водопровода ведет к нанесению материального ущерба.
- ▶ При заклинивании рабочего инструмента немедленно выключайте

электроинструмент. Будьте готовы к высоким реакционным моментам, которые ведут к обратному удару. Рабочий инструмент заедает:

- при перегрузке электроинструмента или
- при перекашивании обрабатываемой детали.
- ▶ Держите крепко электроинструмент в руках. При завинчивании и отвинчивании винтов/шурупов могут кратковременно возникать высокие обратные моменты.
- ▶ Закрепляйте заготовку. Заготовка, установленная в зажимное приспособление или в тиски, удерживается более надежно, чем в Вашей руке.
- ▶ Выждите полной остановки электроинструмента и только после этого выпустите его из рук. Рабочий инструмент может заесть, и это может привести к потере контроля над электроинструментом.
- ▶ Не вскрывайте аккумулятор. При этом возникает опасность короткого замыкания.

Защищайте аккумуляторную батарею

  от высоких температур, напр, от длительного нагревания на солнце, от огня, воды и влаги. Су- ществует опасность взрыва.

- ▶ При повреждении и ненадлежащем использовании аккумулятора может выделиться газ. Обеспечьте приток свежего воздуха и при возникновении жалоб обратитесь к врачу. Газы могут вызвать раздражение дыхательных путей.
- ▶ Используйте аккумулятор только совместно с Вашим электроинструментом фирмы P.I.T. Толькотак аккумулятор защищен от опасной перегрузки.
- ▶ Острыми предметами, как напр, гвоздем или отверткой, а также внешним силовым воздействием можно повредить аккумуляторную батарею. Это может привести к внутреннему короткому замыканию, возгоранию с задымлением, взрыву или перегреву аккумуляторной батареи.

Другие указания по технике безопасности и по работе

- ▶ Пыль таких материалов, как, напр, свинцовосодержащие лакокрасочные покрытия, некоторые виды древе-

сины, минералов и металла, может нанести вред Вашему здоровью и вызвать аллергические реакции, заболевания дыхательных путей и/или рак. Поручайте обработку содержащего асбест материала только специалистам.

- Хорошо проветривайте рабочее место.
- Рекомендуется пользоваться респиратор-орной маской с фильтром класса P2.

Соблюдайте действующие в Вашей стране предписания для обрабатываемых материалов.

- ▶ **Избегайте скопления пыли на рабочем месте.** Пыль может легко воспламеняться.
- ▶ **Аккумуляторная батарея поставляется частично заряженной. В целях реализации полной емкости аккумуляторной батареи ее необходимо полностью зарядить в зарядном устройстве перед первой эксплуатацией.**
- ▶ **Прочитайте руководство по эксплуатации зарядного устройства.**
- ▶ **Устанавливайте электроинструмент на шуруп только в выключенном состоянии.** Вращающиеся рабочие инструменты могут соскользнуть.
- ▶ **Переключайте переключатель передач только при остановленном электроинструменте.**
- ▶ **Перемещайте переключатель передач/поворачивайте переключатель режимов работы всегда до упора.** Иначе возможно повреждение электроинструмента.

В целях экономии электроэнергии включайте электроинструмент только тогда, когда Вы собираетесь работать с ним.

Описание продукта и услуг

Прочтите все указания и инструкции по технике безопасности.



Несоблюдение указаний по технике безопасности и инструкций может привести к поражению электрическим током, пожару и/или тяжелым травмам.

Пожалуйста, соблюдайте иллюстрации в начале руководства по эксплуатации.

Применение по назначению

Электроинструмент предназначен для завинчивания и отвинчивания винтов, а также для сверления в древесине, металле, керамике и пластмассе.

Изображенные составные части

Нумерация представленных компонентов выполнена по изображению на странице с иллюстрациями.

- (1) Держатель инструмента
- (2) Бесключевой патрон
- (3) Кольцо предварительной настройки крутящего момента
- (4) Переключатель передач
- (5) Аккумулятор
- (6) Кнопка разблокировки аккумулятора
- (7) Рабочий свет
- (8) Переключатель направления вращения
- (9) Переключатель включения / выключения
- (10) Ручка
(изолированная поверхность захвата)

Технические характеристики

Модель	PSR18-D3
Номинальное напряжение	DC 20В
Крутящий момент шестерни	20+1
Максимальный размер патрона	Ø0.8-10mm (3/8")
Скорость	0-350/1350 об / мин
Максимальный крутящий момент	30 N·m (266 in-lbf)
Вес	2,2 кг

Примечание

В тексте и цифровых обозначениях могут быть допущены технические ошибки и опечатки. Так как изделие постоянно совершенствуется, P.I.T. оставляет за собой право на внесение изменений в указанные здесь технические характеристики и комплектацию изделия без предварительного уведомления.

Комплект поставки

Аккумуляторная ударная дрель	1 шт
Литиевая батарея	2 шт
Зарядное устройство	1 шт
Набор бит	1 комплект
Переходник	1 шт
Руководство по эксплуатации	1 шт
Сверло по дереву	1 шт
Сверло по металлу	1 шт

Сборка

- ▶ **До начала работ по техобслуживанию, смене инструмента и т. д., а также при транспортировке и хранении извлекайте аккумулятор из электроинструмента.** При непреднамеренном

включении возникает опасность травмирования.

Зарядка аккумулятора

► **Пользуйтесь только зарядными устройствами, указанными в технических параметрах.** Только эти зарядные устройства пригодны для литиево-ионного аккумулятора Вашего электроинструмента.

Указание: Аккумуляторная батарея поставляется в частично заряженном состоянии. Для обеспечения полной мощности аккумулятора зарядите его полностью перед первым применением.

Литий-ионный аккумулятор может быть заряжен в любое время без сокращения срока службы. Прекращение процесса зарядки не наносит вреда аккумулятору.

Литиево-ионная аккумуляторная батарея защищена от глубокой разрядки системой "Electronic Cell Protection (ECP)". Защитная схема выключает электроинструмент при разряженном аккумуляторе – рабочий инструмент останавливается.

► **После автоматического выключения электроинструмента не нажимайте больше на выключатель.** Аккумулятор может быть поврежден.

Учитывайте указания по утилизации.

Извлечение аккумулятора

Аккумулятор оснащен двумя ступенями фиксирования, призванными предотвращать выпадение аккумулятора при непреднамеренном нажатии на кнопку разблокировки. Пока аккумулятор находится в электроинструменте, пружина держит его в соответствующем положении.



Чтобы извлечь аккумуляторную батарею, нажмите на кнопку разблокировки и извлеките аккумулятор из электроинструмента.

Замена рабочего инструмента (см. рис. А)

► **До начала работ по техобслуживанию, смене инструмента и т. д., а также при транспортировке и хранении извлекайте аккумулятор из электроинструмента.** При непреднамеренном включении возникает опасность травмирования.

Откройте быстрозажимной сверлильный

патрон, поворачивая его в направлении вращения ❶ настолько, чтобы можно было вставить рабочий инструмент. Вставьте инструмент.

От руки туго затягивайте гильзу быстрозажимного сверлильного патрона в направлении ❷ до тех пор, пока не перестанут слышаться щелчки. При этом сверлильный патрон автоматически фиксируется.

Удаление пыли и стружки

Пыль некоторых материалов, как напр, красок с содержанием свинца, некоторых сортов древесины, минералов и металлов, может быть вредной для здоровья.

Прикосновение к пыли и попадание пыли в дыхательные пути может вызвать аллергические реакции и/или заболевания дыхательных путей оператора или находящегося вблизи персонала.

Определенные виды пыли, напр, дуба и бука, считаются канцерогенными, особенно совместно с присадками для обработки древесины (хромат, средство для защиты древесины). Материал с содержанием асбеста разрешается обрабатывать только специалистам.

- Хорошо проветривайте рабочее место.
- Рекомендуется пользоваться респираторной маской с фильтром класса P2.

Соблюдайте действующие в Вашей стране предписания для обрабатываемых материалов.

► **Избегайте скопления пыли на рабочем месте.** Пыль может легко воспламеняться.

Работа с инструментом

Включение электроинструмента

Установка аккумулятора

Указание: Применение аккумуляторов, не предназначенных для данного электроинструмента, может привести к сбоям в работе или повреждению электроинструмента.

Установите переключатель направления вращения посередине, чтобы предотвратить непреднамеренное включение. Установите заряженную аккумуляторную батарею в рукоятку так, чтобы она вошла в зацепление и прилегал к рукоятке заподлицо.

Настройка направления вращения (см. рис. В)

Выключателем направления вращения можно изменять направление вращения электроинструмента. При вжатом выключателе это, однако, невозможно.

Правое вращение: Для сверления и завинчивания шурупов передвиньте переключатель направления вращения до упора влево.

Левое направление вращения: Для ослабления и выворачивания винтов/шурупов и отвинчивания гаек нажмите переключатель направления вращения вправо до упора.

Установка режима работы



Сверление

Установите кольцо регулировки крутящего момента на символ «Сверление».



Закручивание

Установите кольцо регулировки крутящего момента на необходимый крутящий момент.

Включение/выключение

Для **включения** электроинструмента нажмите на выключатель и удерживайте его нажатым.

Светодиод загорается при легком или полном нажатии на выключатель и позволяет освещать рабочую зону при недостаточном общем освещении.

Для **выключения** электроинструмента отпустите выключатель.

Установка числа оборотов

Число оборотов включенного электроинструмента можно плавно регулировать, изменяя для этого усилие нажатия на выключатель.

При слабом нажатии на выключатель электроинструмент работает с низким числом оборотов. С увеличением силы нажатия число оборотов увеличивается.

Установка крутящего момента

С помощью установочного кольца крутящего момента можно установить одну из 20 ступеней крутящего момента. После достижения установленного крутящего момента электроинструмент останавливается.

Механический выбор передачи

- ▶ Приводите в действие переключатель передач только при остановленном электроинструменте.
- ▶ Переключателем передач можно пользоваться при полностью остановленном и работающем электроинструменте. Этого нельзя делать при полной нагрузке или на максимальных оборотах.
- ▶ Переключайте переключатель передач всегда до упора. В противном слу-

чае электроинструмент может быть поврежден.

Диапазон низкого числа оборотов для работы со сверлами с большими диаметрами или для завинчивания винтов/шурупов.

Диапазон высокого числа оборотов для работы со сверлами небольшого диаметра.

Термическая защита от перегрузки

При использовании электроинструмента по назначению его перегрузка невозможна. При сильной перегрузке или выходе за пределы допустимого диапазона рабочей температуры число оборотов уменьшается. Лишь после достижения допустимой рабочей температуры электроинструмент снова начинает работать с полным числом оборотов.

Защита от глубокой разрядки

Литиево-ионная аккумуляторная батарея защищена от глубокой разрядки системой. Защитная схема выключает электроинструмент при разряженном аккумуляторе.

Техобслуживание и очистка

- ▶ До начала работ по техобслуживанию, смене инструмента и т. д, а также при транспортировке и хранении извлекайте аккумулятор из электроинструмента. При непреднамеренном включении возникает опасность травмирования.
- ▶ Для обеспечения качественной и безопасной работы содержите электроинструмент и вентиляционные прорези в чистоте.



Утилизация

Отслужившие свой срок электроинструменты, принадлежности и упаковку следует сдавать на экологически чистую переработку отходов.

Утилизируйте электроинструмент отдельно от бытового мусора!

РАСШИФРОВКА ДАТЫ ИЗГОТОВЛЕНИЯ ИЗДЕЛИЯ

№.

1	7	0	7	3	0	0	3	9	5
---	---	---	---	---	---	---	---	---	---

год месяц день

Дата изготовления изделия зашифрована в серийном номере, напечатанном на корпусе инструмента. Первые 2 цифры обозначают год выпуска, следующие 2 цифры – месяц и следующие 2 цифры - день.

УСЛОВИЯ ГАРАНТИЙНОГО ОБСЛУЖИВАНИЯ

1. Настоящее гарантийное свидетельство является единственным документом, подтверждающим ваше право на бесплатное гарантийное обслуживание. Без предъявления данного свидетельства претензии не принимаются. В случае утери или порчи гарантийное свидетельство не восстанавливается.

2. Гарантийный срок на электроинструмент, а также зарядные устройства и аккумуляторные батареи серии OnePower составляет 12 месяцев со дня продажи, в течение гарантийного срока сервисная служба бесплатно устраняет производственные дефекты и производит замену деталей, вышедших из строя по вине изготовителя. На период гарантийного ремонта эквивалентный исправный инструмент не предоставляется. Заменяемые детали переходят в собственность служб сервиса.

Компания Р.І.Т. не несет ответственности за вред, который может быть причинен при работе с электроинструментом.

3. В гарантийный ремонт инструмент принимается в чистом виде, при обязательном наличии надлежащим образом оформленных документов: настоящего гарантийного свидетельства, гарантийного талона, с полностью заполненными полями, штампом торговой организации и подписью покупателя.

4. Гарантийный ремонт не производится в следующих случаях:

- при отсутствии гарантийного свидетельства и гарантийного талона или неправильном их оформлении;
- при совместном выходе из строя якоря и статора электродвигателя, при обугливание или оплавлении первичной обмотки трансформатора сварочного аппарата, зарядного или пуско-зарядного устройства, при оплавлении внутренних деталей, прожиге электронных плат;
- если гарантийное свидетельство или талон не принадлежат данному электроинструменту или не соответствует установленному поставщиком образцу;
- по истечении срока гарантии;
- при попытках самостоятельного вскрытия или ремонта электроинструмента вне гарантийной мастерской;
- внесения конструктивных изменений и смазки инструмента в гарантийный период,

о чем свидетельствуют, например, заломы на шлицевых частях крепежа корпусных деталей.

- при использовании электроинструмента в производственных или иных целях, связанных с получением прибыли, а также при возникновении неисправностей связанных с нестабильностью параметров электросети, превышающих нормы, установленные ГОСТ;

- при неправильной эксплуатации (использование электроинструмента не по назначению, установки на электроинструмент не предназначенных заводом-изготовителем насадок, дополнительных приспособлений и т.п.;

- при механических повреждениях корпуса, сетевого шнура и при повреждениях, вызванных воздействиями агрессивных средств и высоких и низких температур, попадании инородных предметов в вентиляционные решетки электроинструмента, а также при повреждениях, наступивших в результате неправильного хранения (коррозия металлических частей);

- при естественном износе деталей электроинструмента, в результате длительной эксплуатации (определяется по признакам полной или частичной выработки ресурса, сильного загрязнения, ржавчины снаружи и внутри электроинструмента, отработанной смазки в редукторе);

- использование инструмента не по назначению, указанному в инструкции по эксплуатации.

- при механических повреждениях инструмента;

- при возникновении повреждений в связи с несоблюдением предусмотренных инструкцией условий эксплуатации (см. главу «Указание по технике безопасности» в инструкции).

- повреждение изделия вследствие несоблюдения правил хранения и транспортировки.

Профилактическое обслуживание электроинструмента (чистка, промывка, смазка, замена пыльников, поршневых и уплотнительных колец) в гарантийный период является платной услугой.

Срок службы изделия составляет 3 года. Срок хранения – 2 года. Не рекомендуется к эксплуатации по истечении 2 лет хранения с даты изготовления, которая указана в серийном номере на этикетке инструмента, без предварительной проверки (определе-

ние даты выпуска смотрите ранее в Руководстве пользователя).

О возможных нарушениях, изложенных выше условий гарантийного обслуживания, владельцу сообщается после проведения диагностики в сервисном центре.

Владелец инструмента доверяет проведение диагностики в сервисном центре в свое отсутствие.

Запрещается эксплуатация электроинструмента при проявлении признаков повышенного нагрева, искрения, а также шума в редукторной части. Для выяснения причин неисправности покупателю следует обратиться в гарантийную мастерскую.

Неисправности, вызванные несвоевременной заменой угольных щеток двигателя, устраняются за счет покупателя.

5.Гарантия не распространяется на:

- сменные принадлежности (аксессуары и оснастка), например: аккумуляторы, диски, ножи, сверла, буры, патроны, цепи, звездочки, цанговые зажимы, шины, элементы натяжения и крепления, головки триммеров, подошвы шлифовальных и ленточных машин, фильтры, головки шестигранные сменные насадки и т.п.

- быстроизнашивающиеся детали, например: угольные щетки, приводные ремни, сальники, защитные кожухи, направляющие ролики, направляющие, резиновые уплотнения, подшипники, зубчатые ремни и колеса, стволы, ленты тормоза, храповики и тросы стартеров, поршневые кольца и т.п.

Замена их в течение гарантийного срока является платной услугой.

-шнуры питания, в случае повреждения изоляции, шнуры питания подлежат обязательной замене без согласия владельца (услуга платная), в т.ч. корпуса инструмента.

P.I.T. WARRANTY CERTIFICATE

Product Name _____

Product Serial Number

Battery Serial Number

Charger Serial Number

Sale Date _____

Trade Organization Name _____



Dear customer!

Thank you for purchasing the P.I.T. tool, and we hope that you will be satisfied with your choice. In the process of manufacturing the P.I.T. tools pass multilevel quality control, if nevertheless your product will need maintenance, please contact the authorized P.I.T. service centers.

Attention!

When buying, ask a seller to check the completeness and operability of the tool, to fill out the Warranty Certificate, the Warranty Card (the boxes shall be filled out by a seller) and to affix the seal of the trade organization in the Guarantee Certificate and the Warranty Card.

Warranty

By this Warranty Certificate, P.I.T. company guarantees the absence of defects of the production nature.

In the event any of the above defects are detected during the warranty period, the specialized P.I.T. service centers shall repair the product and replace the defective spare parts free of charge.

The warranty period for P.I.T. electric machines is 12 months from the date of sale.

“The warranty maintenance terms acknowledged and accepted. The operability and completeness of the product are checked in my presence. No claims on quality and appearance.”

Buyer's Signature _____ Surname (legibly) _____

Phone _____

ГАРАНТИЙНОЕ СВИДЕТЕЛЬСТВО НА ИНСТРУМЕНТ P.I.T.

Наименование изделия _____

Серийный номер изделия □□□□□□□□□□

Серийный номер аккумулятора □□□□□□□□□□

Серийный номер зарядного устройства □□□□□□□□□□

Дата продажи « _____ » _____

Наименование торговой организации _____

Уважаемый покупатель!

М.П.

Благодарим Вас за покупку инструмента P.I.T. и надеемся, что Вы останетесь довольны своим выбором.

При необходимости обслуживания Вашего изделия обращайтесь в авторизованные сервисные центры P.I.T. Все сервисные центры представлены на сайте www.pittools.ru

Внимание!

При покупке требуйте у продавца проверки работоспособности инструмента и его комплектности, а также заполнения гарантийного свидетельства, гарантийного талона (графы «Заполняются продавцом») и простановки печати торговой организации в гарантийном свидетельстве и гарантийных талонах.

Гарантия

На основании данного гарантийного свидетельства компания P.I.T. гарантирует отсутствие дефектов производственного характера.

Если в течение гарантийного срока в Вашем изделии обнаружатся указанные дефекты, то специализированные сервисные центры P.I.T. бесплатно отремонтируют изделие и заменят дефектные запасные части.

Гарантийный срок на электроинструменты P.I.T. составляет 12 месяцев со дня продажи.

«С условиями гарантийного обслуживания ознакомлен(а). Работоспособность и комплектность изделия проверены в моем присутствии. Претензий к качеству и внешнему виду не имею».

Подпись покупателя _____ Фамилия (разборчиво) _____

Телефон _____

P.I.T. WARRANTY CARD

P.I.T.

№ 1

Name _____
 Product Serial Number _____
 Battery Serial Number _____
 Charger Serial Number _____
 Sale Date _____ 20__
 Date of Receipt from Repair _____ 20__

Name _____
 Product Serial Number _____
 Battery Serial Number _____
 Charger Serial Number _____
 Sale Date _____ 20__

Place of Seal

(Filled out by a Seller)
WARRANTY REPAIR CARD
 Date of Acceptance for Repair _____ 20__
 Application for Repair _____
 Customer _____
 Phone (Address) _____
 Cause of Application _____
 Date of Receipt from Repair _____ 20__

The Tool is checked in my presence _____
 (The Order shall be performed in a Service Center) (Signature)

P.I.T.

№ 2

Name _____
 Product Serial Number _____
 Battery Serial Number _____
 Charger Serial Number _____
 Sale Date _____ 20__
 Date of Receipt from Repair _____ 20__

Name _____
 Product Serial Number _____
 Battery Serial Number _____
 Charger Serial Number _____
 Sale Date _____ 20__

Place of Seal

(Filled out by a Seller)
WARRANTY REPAIR CARD
 Date of Acceptance for Repair _____ 20__
 Application for Repair _____
 Customer _____
 Phone (Address) _____
 Cause of Application _____
 Date of Receipt from Repair _____ 20__

The Tool is checked in my presence _____
 (The Order shall be performed in a Service Center) (Signature)

P.I.T.

№ 3

Name _____
 Product Serial Number _____
 Battery Serial Number _____
 Charger Serial Number _____
 Sale Date _____ 20__
 Date of Receipt from Repair _____ 20__

Name _____
 Product Serial Number _____
 Battery Serial Number _____
 Charger Serial Number _____
 Sale Date _____ 20__

Place of Seal

(Filled out by a Seller)
WARRANTY REPAIR CARD
 Date of Acceptance for Repair _____ 20__
 Application for Repair _____
 Customer _____
 Phone (Address) _____
 Cause of Application _____
 Date of Receipt from Repair _____ 20__

The Tool is checked in my presence _____
 (The Order shall be performed in a Service Center) (Signature)

ГАРАНТИЙНЫЙ ТАЛОН P.I.T.

P.I.T.

Талон № 1

Наименование _____
 Серийный номер _____
 Дата продажи « ____ » _____ 20__ Place of Seal
 (Заполняется продавцом)

КАРТА ГАРАНТИЙНОГО РЕМОНА

Дата приема на ремонт _____ 20__
 Заявка на ремонт _____
 Заказчик _____
 Телефон (адрес) _____
 Причина обращения _____

Дата получения с ремонта _____ 20__
 Инструмент проверен в моем присутствии _____
 (Заказ заполняется в Сервисном Центре) (Подпись)

Наименование _____
 Серийный номер _____ 20__
 Дата продажи _____ 20__
 Дата получения с ремонта _____ 20__

P.I.T.

Талон № 2

Наименование _____
 Серийный номер _____
 Дата продажи « ____ » _____ 20__ Place of Seal
 (Заполняется продавцом)

КАРТА ГАРАНТИЙНОГО РЕМОНА

Дата приема на ремонт _____ 20__
 Заявка на ремонт _____
 Заказчик _____
 Телефон (адрес) _____
 Причина обращения _____

Дата получения с ремонта _____ 20__
 Инструмент проверен в моем присутствии _____
 (Заказ заполняется в Сервисном Центре) (Подпись)

Наименование _____
 Серийный номер _____ 20__
 Дата продажи _____ 20__
 Дата получения с ремонта _____ 20__

P.I.T.

Талон № 3

Наименование _____
 Серийный номер _____
 Дата продажи « ____ » _____ 20__ Place of Seal
 (Заполняется продавцом)

КАРТА ГАРАНТИЙНОГО РЕМОНА

Дата приема на ремонт _____ 20__
 Заявка на ремонт _____
 Заказчик _____
 Телефон (адрес) _____
 Причина обращения _____

Дата получения с ремонта _____ 20__
 Инструмент проверен в моем присутствии _____
 (Заказ заполняется в Сервисном Центре) (Подпись)

Наименование _____
 Серийный номер _____ 20__
 Дата продажи _____ 20__
 Дата получения с ремонта _____ 20__



www.pit-tools.com

P.I.T.

Поставщик / производитель: Xinjiang Longbo Industrial Co., Ltd./Синьцзян Лонгбо Индастриал Ко., Лтд.

Адрес производства: Rm. 602, 6th Floor, No. 531, Weixing Road, Economic And Technological Development Zone, Urumqi, Xinjiang, China / Оф.602, 6 этаж, №531, Вейшинг Род, Экономик Энд Технолджикал Девелопмент Зон, Урумчи, Синьцзян, Китай

Импортер/ организация, уполномоченная принимать претензии: ООО «Турбо-Тулс»
Юридический адрес: 117246, г. Москва, ул. Херсонская, 43 - 670

Вопросы и предложения направляйте по адресу: 614058, г. Пермь, ул. Фоминская, 36
Горячая линия по сервисному обслуживанию:



***2445**

Звонок с мобильного
бесплатный

info@pittools.ru

Сделано в КНР / Made in China

ЕАС