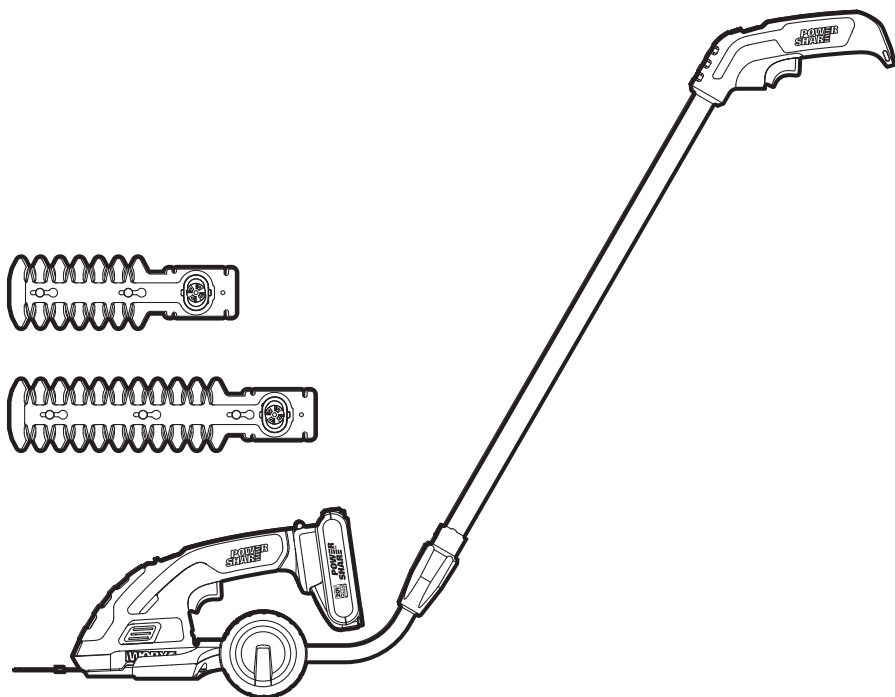


# WORX®



**20V<sup>MAX</sup>**  
**POWER**  
**MODULE**

**Cordless shrub shear/grass shear**

**EN P07**

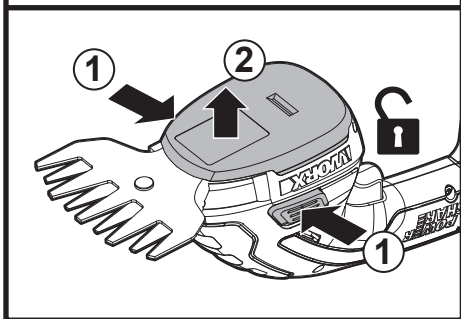
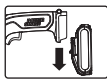
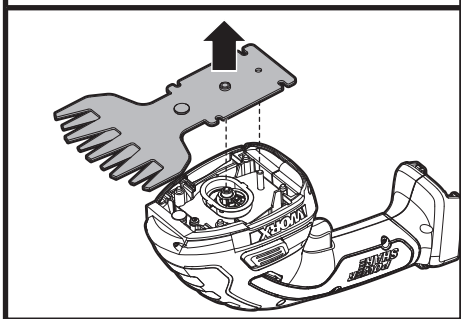
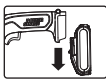
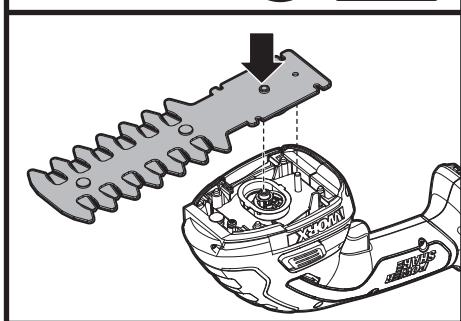
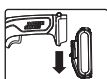
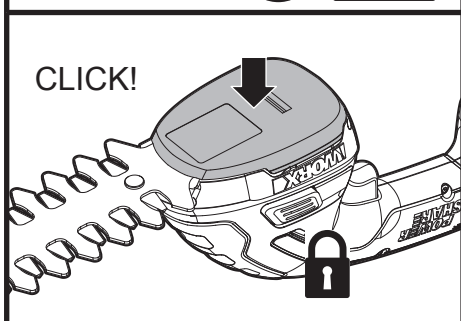
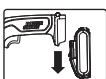
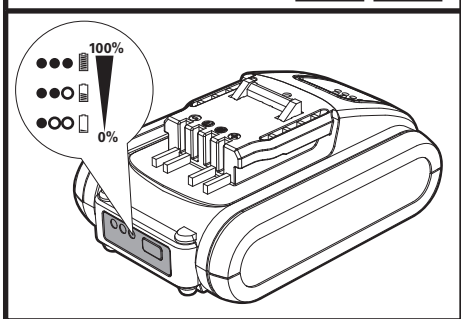
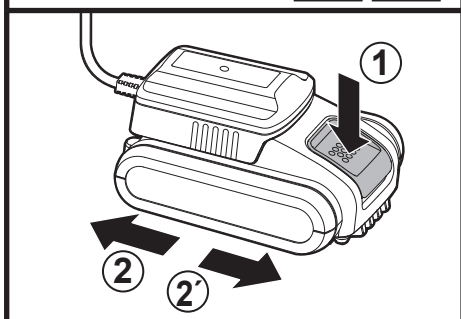
**Аккумуляторные газонные и кустарные ножницы**

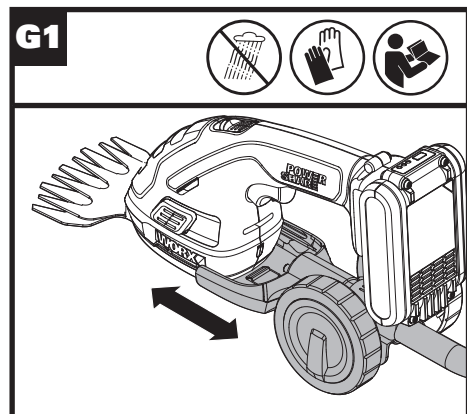
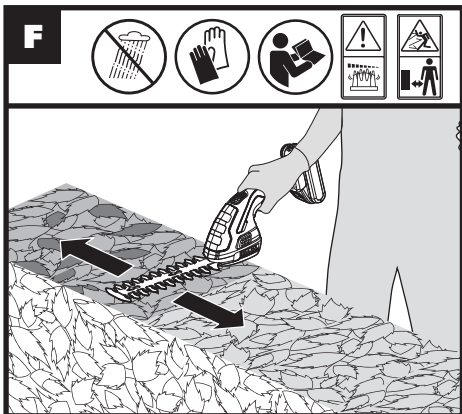
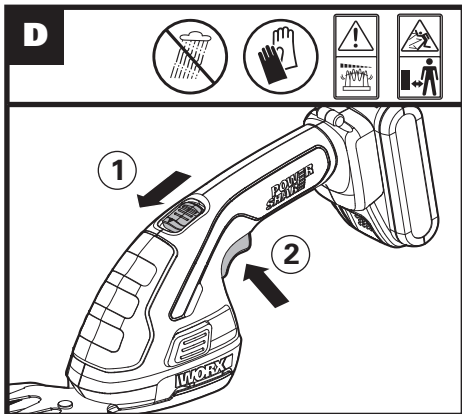
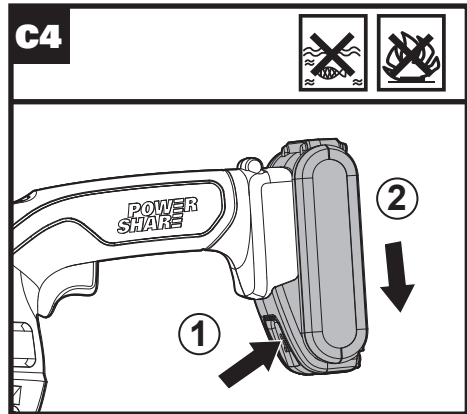
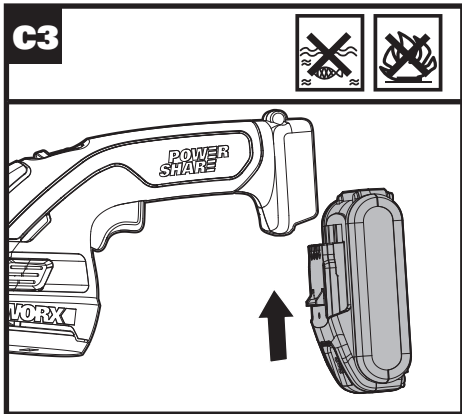
**RU P14**

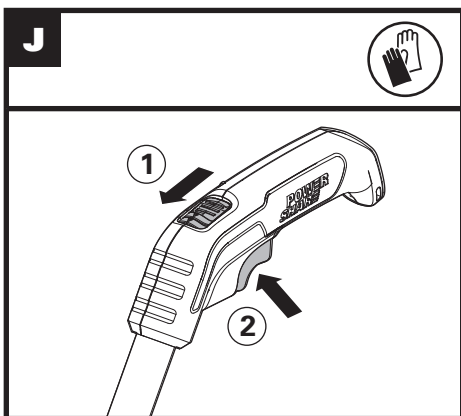
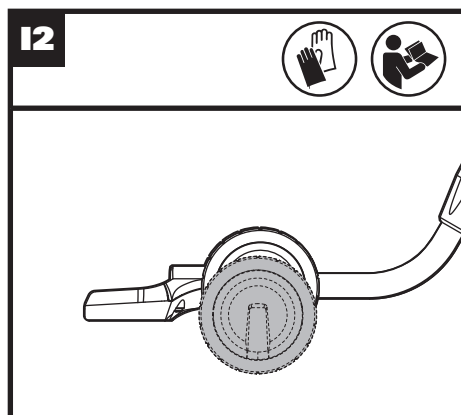
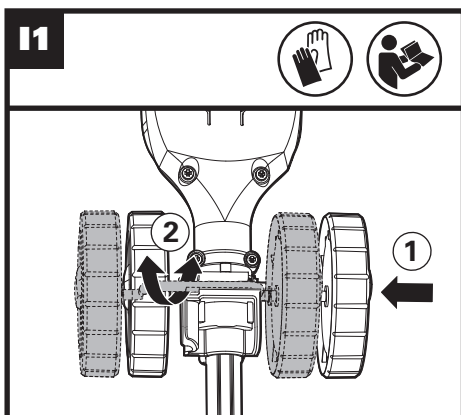
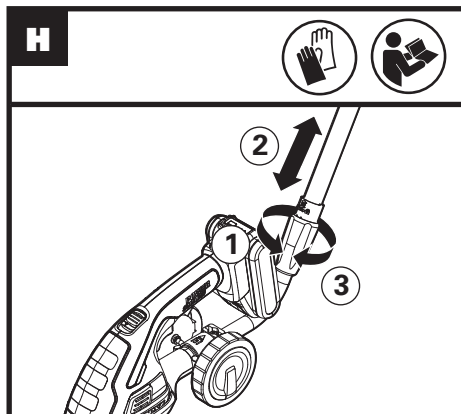
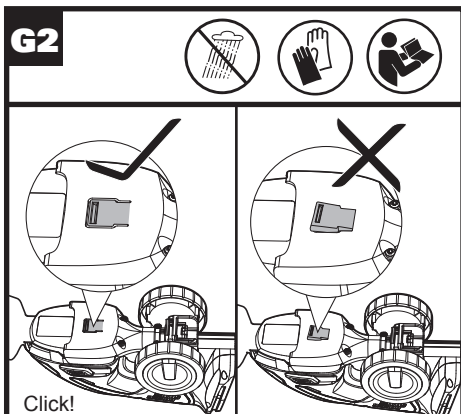
**WG80 IE WG80 IE.1 WG80 IE.9**





**A1****A2****B1****B2****C1****C2**





# ORIGINAL INSTRUCTIONS

## GENERAL POWER TOOL SAFETY WARNINGS



**WARNING: Read all safety warnings and all instructions.** Failure to follow the warnings and instructions may result in electric shock, fire and/or serious injury.

**Save all warnings and instructions for future reference.**

The term "power tool" in the warnings refers to your mains-operated (corded) power tool or battery-operated (cordless) power tool.

### 1. WORK AREA SAFETY

- a) **Keep work area clean and well lit.** Cluttered or dark areas invite accidents.
- b) **Do not operate power tools in explosive atmospheres, such as in the presence of flammable liquids, gases or dust.** Power tools create sparks which may ignite the dust or fumes.
- c) **Keep children and bystanders away while operating a power tool.** Distractions can cause you to lose control.

### 2. ELECTRICAL SAFETY

- a) **Power tool plugs must match the outlet. Never modify the plug in any way. Do not use any adapter plugs with earthed (grounded) power tools.** Unmodified plugs and matching outlets will reduce risk of electric shock.
- b) **Avoid body contact with earthed or grounded surfaces, such as pipes, radiators, ranges and refrigerators.** There is an increased risk of electric shock if your body is earthed or grounded.
- c) **Do not expose power tools to rain or wet conditions.** Water entering a power tool will increase the risk of electric shock.
- d) **Do not abuse the cord. Never use the cord for carrying, pulling or unplugging the power tool. Keep cord away from heat, oil, sharp edges or moving parts.** Damaged or entangled cords increase the risk of electric shock.
- e) **When operating a power tool outdoors, use an extension cord suitable for outdoor use.** Use of a cord suitable for outdoor use reduces the risk of electric shock.
- f) **If operating a power tool in a damp location is unavoidable, use a residual current device (RCD) protected supply.** Use of an RCD reduces the risk of electric shock.

### 3. PERSONAL SAFETY

- a) **Stay alert, watch what you are doing and use common sense when operating a power tool. Do not use a power tool while you are tired or under the influence of drugs, alcohol or medication.** A moment of inattention while operating power tools may

result in serious personal injury.

- b) **Use personal protective equipment. Always wear eye protection.** Protective equipment such as dust mask, non-skid safety shoes, hard hat, or hearing protection used for appropriate conditions will reduce personal injuries.
- c) **Prevent unintentional starting. Ensure the switch is in the off-position before connecting to power source and/or battery pack, picking up or carrying the tool.** Carrying power tools with your finger on the switch or energising power tools that have the switch on invites accidents.
- d) **Remove any adjusting key or wrench before turning the power tool on.** A wrench or a key left attached to a rotating part of the power tool may result in personal injury.
- e) **Do not overreach. Keep proper footing and balance at all times.** This enables better control of the power tool in unexpected situations.
- f) **Dress properly. Do not wear loose clothing or jewellery. Keep your hair, clothing and gloves away from moving parts.** Loose clothes, jewellery or long hair can be caught in moving parts.
- g) **If devices are provided for the connection of dust extraction and collection facilities, ensure these are connected and properly used.** Use of dust collection can reduce dust-related hazards.

### 4. POWER TOOL USE AND CARE

- a) **Do not force the power tool. Use the correct power tool for your application.** The correct power tool will do the job better and safer at the rate for which it was designed.
- b) **Do not use the power tool if the switch does not turn it on and off.** Any power tool that cannot be controlled with the switch is dangerous and must be repaired.
- c) **Disconnect the plug from the power source and/or the battery pack from the power tool before making any adjustments, changing accessories, or storing power tools.** Such preventive safety measures reduce the risk of starting the power tool accidentally.
- d) **Store idle power tools out of the reach of children and do not allow persons unfamiliar with the power tool or these instructions to operate the power tool.** Power tools are dangerous in the hands of untrained users.
- e) **Maintain power tools. Check for misalignment or binding of moving parts, breakage of parts and any other condition that may affect the power tool's operation. If damaged, have the power tool repaired before use.** Many accidents are caused by poorly maintained power tools.
- f) **Keep cutting tools sharp and clean.** Properly maintained cutting tools with sharp cutting edges are less likely to bind and are easier to control.
- g) **Use the power tool, accessories and tool bits etc. in accordance with these**

# Cordless shrub shear/ grass shear

7  
EN

**instructions, taking into account the working conditions and the work to be performed.** Use of the power tool for operations different from those intended could result in a hazardous situation.

## 5. BATTERY TOOL USE AND CARE

- a) **Recharge only with the charger specified by the manufacturer.** A charger that is suitable for one type of battery pack may create a risk of fire when used with another battery pack.
- b) **Use power tools only with specifically designated battery packs.** Use of any other battery packs may create a risk of injury and fire.
- c) **When battery pack is not in use, keep it away from other metal objects, like paper clips, coins, keys, nails, screws or other small metal objects, that can make a connection from one terminal to another.** Shorting the battery terminals together may cause burns or a fire.
- d) **Under abusive conditions, liquid may be ejected from the battery; avoid contact. If contact accidentally occurs, flush with water. If liquid contacts eyes, additionally seek medical help.** Liquid ejected from the battery may cause irritation or burns.

## 6. SERVICE

- a) **Have your power tool serviced by a qualified repair person using only identical replacement parts.** This will ensure that the safety of the power tool is maintained.

# HEDGE TRIMMER SAFETY WARNINGS

1. **Keep all parts of the body away from the cutter blade. Do not remove cut material or hold material to be cut when blades are moving. Make sure the switch is off when clearing jammed material.** A moment of inattention while operating the hedge trimmer may result in serious personal injury.
2. **Carry the hedge trimmer by the handle with the cutter blade stopped. When transporting or storing the hedge trimmer always fit the cutting device cover.** Proper handling of the hedge trimmer will reduce possible personal injury from the cutter blades.
3. **Hold the power tool by insulated gripping surfaces only, because the cutter blade may contact hidden wiring.** Cutter blades contacting a "live" wire may make exposed metal parts of the power tool "live" and could give the operator an electric shock.
4. Check the hedge for foreign objects, e.g. wire fences.
5. Use both hands when operating the hedge trimmer. Using one hand could cause loss of control and result in serious personal injury.

# GENERAL SAFETY WARNINGS



**WARNING: Read all safety warnings and all instructions.** Failure to follow the warnings and instructions may result in electric shock, fire and/or serious injury.

**Save all warnings and instructions for future reference.**

**The appliance is only to be used with the power supply unit provided with the appliance**

**IMPORTANT  
READ CAREFULLY BEFORE USE  
KEEP FOR FUTURE REFERENCE**

## SAFE OPERATION PRACTICES TRAINING

- a) Read the instructions carefully. Be familiar with the controls and the proper use of the machine.
- b) Never allow children, persons with reduced physical, sensory or mental capabilities or lack of experience and knowledge or people unfamiliar with these instructions to use the machine. Local regulations can restrict the age of the operator.
- c) Keep in mind that the operator or user is responsible for accidents or hazards occurring to other people or their property.

## PREPARATION

- a) Never operate the machine while people, especially children, or pets are nearby.
- b) Before use, always visually inspect the machine for damaged, missing or misplaced guards or shields.

## OPERATION

- a) Wear eye protection, long trousers and stout shoes at all times while operating the machine.
- b) Avoid using the machine in bad weather conditions especially when there is a risk of lightning.
- c) Use the machine only in daylight or good artificial light.
- d) Never operate the machine with damaged guards or shields or without guards or shields in place.
- e) Switch on the motor only when the hands and feet are away from the cutting means.
- f) Always disconnect the machine from the power supply (e.g. remove the battery pack)
  - whenever leaving the machine unattended;
  - before clearing a blockage;
  - before checking, cleaning or working on the machine;
  - after striking a foreign object;
  - whenever the machine starts vibrating abnormally.
- g) Take care against injury to feet and hands from the cutting means.
- h) Always ensure that the ventilation openings are kept clear of debris.



- i) Always be sure of your footing on slopes.
- j) Walk, never run.
- k) Not overreach and keep the balance at all times.
- l) Not to touch moving hazardous parts before the machine is disconnected and the moving hazardous parts have come to a complete stop.

#### MAINTENANCE AND STORAGE

- a) Disconnect the machine from the power supply (e.g. remove the battery pack) before carrying out maintenance or cleaning work.
- b) Use only the manufacturer's recommended replacement parts and accessories.
- c) Inspect and maintain the machine regularly. Have the machine repaired only by an authorized repairer.
- d) When not in use, store the machine out of the reach of children.

## SAFETY WARNINGS FOR BATTERY PACK

- a) **Do not dismantle, open or shred cells or battery pack.**
- b) **Do not short-circuit a battery pack. Do not store battery packs haphazardly in a box or drawer where they may short-circuit each other or be short-circuited by conductive materials.** When battery pack is not in use, keep it away from other metal objects, like paper clips, coins, keys, nails, screws or other small metal objects, that can make a connection from one terminal to another. Shorting the battery terminals together may cause burns or a fire.
- c) **Do not expose battery pack to heat or fire. Avoid storage in direct sunlight.**
- d) **Do not subject battery pack to mechanical shock.**
- e) **In the event of battery leaking, do not allow the liquid to come into contact with the skin or eyes. If contact has been made, wash the affected area with copious amounts of water and seek medical advice.**
- f) **Seek medical advice immediately if a cell or battery pack has been swallowed.**
- g) **Keep battery pack clean and dry.**
- h) **Wipe the battery pack terminals with a clean dry cloth if they become dirty.**
- i) **Battery pack needs to be charged before use. Always refer to this instruction and use the correct charging procedure.**
- j) **Do not maintain battery pack on charge when not in use.**
- k) **After extended periods of storage, it may be necessary to charge and discharge the battery pack several times to obtain maximum performance.**
- l) **Battery pack gives its best performance when it is operated at normal room temperature (20°C ± 5°C).**
- m) **When disposing of battery packs, keep**

**battery packs of different electrochemical systems separate from each other.**

- n) **Recharge only with the charger specified by WORX.** Do not use any charger other than that specifically provided for use with the equipment. A charger that is suitable for one type of battery pack may create a risk of fire when used with another battery pack.
- o) **Do not use any battery pack which is not designed for use with the equipment.**
- p) **Keep battery pack out of the reach of children.**
- q) **Retain the original product literature for future reference.**
- r) **Remove the battery from the equipment when not in use.**
- s) **Dispose of properly.**

## SYMBOLS

	To reduce the risk of injury, user must read instruction manual
	Wear ear protection
	Wear eye protection
	Wear dust mask
	Do not expose to rain
	WARNING: cutting means continues to run after the motor is switched off
	Keep bystanders away






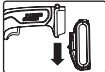



## COMPONENT LIST

1. GRASS SHEAR BLADE
2. LOCK-OFF BUTTON
3. HANDLE
4. BATTERY PACK \*
5. BATTERY PACK RELEASE BUTTON \*
6. ON/OFF SWITCH
7. TOOL-FREE DRIVE COVER
8. TOOL-FREE DRIVE COVER RELEASE BUTTON
9. SHRUB SHEAR BLADES (2 PCS) \*
10. LOCK-OFF BUTTON ON TELESCOPIC HANDLE (ONLY FOR WG801E.1)
11. TELESCOPIC POLE HANDLE (ONLY FOR WG801E.1)
12. ON/OFF SWITCH ON TELESCOPIC HANDLE (ONLY FOR WG801E.1)
13. LOCKING KNOB (ONLY FOR WG801E.1)
14. INNER HANDLE (ONLY FOR WG801E.1)
15. CONNECTION BRACKET (ONLY FOR WG801E.1)

\* Not all the accessories illustrated or described are included in standard delivery.

## TECHNICAL DATA

	WG801E	WG801E.1	WG801E.9
Voltage	20 V $\overline{\text{---}}$ Max**		
No Load Speed	1150 rpm		
Cutting width	10cm with grass shear blade		
Cutting length	12/20cm with shrub blade	12cm	12/20cm with shrub blade
Max. cutting diameter	8mm for shrub blade		
Charging time	5 hrs	/	
Charger rating	Input: 100-240V~50/60Hz Output: 20V $\overline{\text{---}}$ 400mA	/	
Machine weight: (with grass shear blade)	0.9 kg	0.5 kg	


	Class III appliance
	Waste electrical products must not be disposed of with household waste. Please recycle where facilities exist. Check with your local authorities or retailer for recycling advice.
	Do not dispose of batteries, Return exhausted batteries to your local collection or recycling point.
	Do not expose to rain or water
	Do not burn
	Make sure the battery is removed prior to changing accessories.
	Wear protective gloves.
	Lock
	Unlock

# Cordless shrub shear/ grass shear

EN

\*\*Voltage measured without workload. Initial battery voltage reaches maximum of 20 volts. Nominal voltage is 18 volts.

## NOISE INFORMATION

A weighted sound pressure	$L_{pA}$ : 66dB(A)
A weighted sound power	$L_{WA}$ : 82dB(A)
$K_{pA}$	3.0dB(A)
Wear ear protection	

## VIBRATION INFORMATION

Typical weighted vibration	$a_h < 3.6m/s^2$ uncertainty $K=1.5m/s^2$
----------------------------	--

**WARNING:** The vibration emission value during actual use of the power tool can differ from the declared value depending on the ways in which the tool is used dependant on the following examples and other variations on how the tool is used:  
How the tool is used and the materials being cut or drilled.

The tool being in good condition and well maintained.

Using the correct accessory for the tool and ensuring it is sharp and in good condition.

The tightness of the grip on the handles and if any anti vibration accessories are used.

And the tool is being used as intended by its design and these instructions.

**This tool may cause hand-arm vibration syndrome if its use is not adequately managed.**

**WARNING:** To be accurate, an estimation of exposure level in the actual conditions of use should also take account of all parts of the operating cycle such as the times when the tool is switched off and when it is running idle but not actually doing the job. This may significantly reduce the exposure level over the total working period.

Helping to minimise your vibration exposure risk. Maintain this tool in accordance with these instructions and keep well lubricated (where appropriate).

If the tool is to be used regularly then invest in anti vibration accessories.

Plan your work schedule to spread any high vibration tool use across a number of days.

## ACCESSORIES

	WG801E	WG801E.1	WG801E .9
10cm Grass shear blade	1	1	1
12cm Shrub shear blade	1	1	1
20cm Shrub shear blade	1	/	1
Battery pack	1	1	/
Charger	1	1	/
Telescopic Handle (WA0040)	/	1	/

We recommend that you purchase your accessories from the same store that sold you the tool. Refer to the accessory packaging for further details. Store personnel can assist you and offer advice.

## OPERATING INSTRUCTIONS




**NOTE:** Before using the tool, read the instruction book carefully.

### INTENDED USE

The product is intended for light trimming of shrubs and lawn edges in domestic use.

### ASSEMBLY & OPERATION

ACTION	FIGURE
<b>ASSEMBLY (Fitting/Changing the blade)</b>	
Removing the blade <b>Warning:</b> Wear gloves when changing the blade.	See Fig. A1, A2
Fitting the blade	See Fig. B1, B2
<b>BEFORE OPERATION</b>	
Checking the battery condition (Only for WG801E/WG801E.1)	See Fig. C1
Charging the battery pack More details can be found in charger's manual	See Fig. C2
Installing the battery pack	See Fig. C3
Removing the battery pack	See Fig. C4
<b>OPERATION</b>	
Starting & Stopping	See Fig. D


Trimming grass <b>NOTE:</b> Keep the tool away from hard objects and delicate plants. To make a closer cut, slightly tilt the tool.	See Fig. E
Trimming hedges and shrubs <b>NOTE:</b> Take care to avoid any foreign objects. Especially avoid hard objects such as metal wire and railings, as these could damage the blades.	See Fig. F
Operating with the telescopic handle (Only for WG801E.1)	
Assembling/removing the telescopic handle <b>NOTE:</b> -Install the battery pack first before assembling the telescopic handle. -Make sure the telescopic handle is locked into position securely before operation. -Keep hands away from the on/off switch when attach or remove the telescopic handle to prevent accidental start.	See Fig. G1,G2
Adjusting the handle length <b>NOTE:</b> The locking knob is used to hold the handle in position at any extended length.	See Fig. H
Adjusting the cutting height <b>NOTE:</b> The telescopic handle has two cutting height levels (25mm & 43mm).	See Fig. I1,I2
Starting and stopping with the telescopic handle  <b>Warning:</b> Do not use the shrub shear blades (12cm/20cm) when working with the telescopic handle.	See Fig. J

## CLEANING/STORAGE

Clean the exterior of the machine thoroughly using a soft brush and cloth. Do not use water, solvents or polishes. Remove all debris, especially from the ventilation slots.

Store the machine in a secure dry place out of reach of children. Do not place other objects on top of the machine.

## ENVIRONMENTAL PROTECTION

 Waste electrical products must not be disposed of with household waste. Please recycle where facilities exist. Check with your local authorities or retailer for recycling advice.

## MAINTENANCE

**NOTE:** To ensure long and reliable service, carry out the following maintenance regularly.

Remove the battery before carrying out any adjustment, servicing or maintenance.

Check for obvious defects such as loose, dislodged or damaged blade, loose fixings and worn or damaged components.

Check that covers and guards are undamaged and correctly fitted. Carry out necessary maintenance or repairs before using.

## BLADE MAINTENANCE

Always clean the cutting blades after operation and periodically lubricating the cutting blade.

Visually check the condition of the cutting edges of the cutting blade.

Ensure that the blade is covered with the blade guard supplied when not in use.

# DECLARATION OF CONFORMITY

We,  
POSITEC Germany GmbH  
Grüner Weg 10, 50825 Cologne, Germany

Declare that the product,  
Description **WORX cordless shrub shear and grass shear**  
Type **WG801E WG801E.1 WG801E.9**  
**(800-809-designation of machinery, representative of grass shear/shrub)**  
Function **Cutting grass, trimming hedges and bushes**

Complies with the following Directives,  
**2006/42/EC**  
**2014/30/EU**  
**2011/65/EU**  
**2000/14/EC amended by 2005/88/EC**

2000/14/EC amended by 2005/88/EC:  
- Conformity Assessment Procedure as per **Annex V**  
- Measured Sound Power Level **79.4dB (A)**  
- Declared Guaranteed Sound Power Level **82dB (A)**

Standards conform to,  
**EN 60335-1**  
**EN 50636-2-94**  
**EN 62233**  
**EN ISO 3744**  
**EN 55014-1**  
**EN 55014-2**  
**EN 60745-1**  
**EN 60745-2-15**

The person authorized to compile the technical file,  
**Name Marcel Filz**  
**Address Positec Germany GmbH**  
**Grüner Weg 10, 50825 Cologne, Germany**



Suzhou 2018/01/10  
Allen Ding  
Deputy Chief Engineer, Testing & Certification  
Positec Technology (China) Co., Ltd.  
18, Dongwang Road, Suzhou Industrial  
Park, Jiangsu 215123, P. R. China

# ПЕРЕВОД ОРИГИНАЛЬНЫХ ИНСТРУКЦИЙ ОБЩИЕ ПОЛОЖЕНИЯ БЕЗОПАСНОСТИ



**ПРЕДУПРЕЖДЕНИЕ!** Прочтите все предупреждения о безопасности и все инструкции. Несоблюдение предупреждений и инструкций может привести к поражению электрическим током, возгоранию и / или серьезной травме.

**Сохраните все предупреждения и инструкции для дальнейшего использования.**

Термин «электроинструмент» в предупреждениях относится к вашему электроинструменту с питанием от сети (шнур) или к электроинструменту с батарейным питанием (беспроводной).

## 1) БЕЗОПАСНОСТЬ РАБОЧЕЙ ЗОНЫ

- a) **Держите рабочую зону чистой и хорошо освещенной.** Загрязненные или темные области предрасполагают к несчастным случаям.
- b) **Не используйте электроинструменты во взрывоопасных средах, например, в присутствии легковоспламеняющихся жидкостей, газов или пыли.** Электроинструменты создают искры, которые могут воспламенить пыль или пары.
- c) **Держите детей и прохожих в стороне во время работы с электроинструментом.** Отвлекающие факторы могут привести к потере контроля над инструментом.

## 2) ЭЛЕКТРОБЕЗОПАСНОСТЬ

- a) **Вилки с электроинструментом должны соответствовать розетке. Никогда не изменяйте штепсель каким-либо образом.** Заводские вилки и качественные розетки уменьшают риск поражения электрическим током.
- b) **Избегайте контакта тела с заземленными поверхностями, такими как трубы, радиаторы и т.д.** Существует повышенный риск поражения электрическим током, если ваше тело заземлено.
- c) **Не подвергайте электроинструмент воздействию водой или влажностью.** Вода, попадающая в электроинструмент, повысит риск поражения электрическим током.
- d) **Не дергайте за шнур. Никогда не используйте шнур для переноски, вытягивания или отсоединения электроинструмента.** Держите шнур вдали от тепла, масла, острых краев или движущихся частей. Поврежденные или запутанные шнуры повышают риск поражения электрическим током.
- e) **При работе с электроинструментом**

**на открытом воздухе используйте удлинитель, предназначенный для использования на открытом воздухе.** Использование шнура, подходящего для использования на открытом воздухе, снижает риск поражения электрическим током.

- f) **Если работа электроинструмента во влажном месте неизбежна, используйте устройство защитного отключения.** Использование УЗО снижает риск поражения электрическим током.

## 3) ЛИЧНАЯ БЕЗОПАСНОСТЬ

- a) **Будьте внимательны, следите за тем, что вы делаете, и используйте здравый смысл при работе с электроинструментом. Не используйте электроинструмент во время усталости или под воздействием наркотиков, алкоголя или медикаментов.** Невнимательность при работе с электроинструментом может привести к серьезной травме.
  - b) **Используйте средства индивидуальной защиты. Всегда надевайте защитные очки.** Защитное оборудование, такое как пылезащитная маска, несскользящая защитная обувь, каски или защита слуха, используемые для соответствующих условий, уменьшат травмы.
  - c) **Предотвращение непреднамеренного запуска. Перед подключением к источнику питания и / или батарейному блоку убедитесь, что переключатель находится в положении «выключено».** Перенос электроинструментов с пальцем на выключателе или зарядка электроинструментов во включенном состоянии может вызвать несчастные случаи.
  - d) **Перед включением электроинструмента любые гаечные ключи.** Ключ, прикрепленный к вращающейся части электроинструмента, может привести к травме.
  - e) **Не наклоняйтесь. Держите равновесие во время работы.** Это позволяет лучше контролировать электроинструмент.
  - f) **Одевайтесь должным образом. Не надевайте свободную одежду или украшения. Держите волосы, одежду и перчатки вдали от движущихся частей.** Свободная одежда, ювелирные изделия или длинные волосы могут быть зацеплены движущимися частями.
  - g) **Использование пылеулавливателей может уменьшить опасность, связанную с загрязнением.**
- 
- 4) **ИСПОЛЬЗОВАНИЕ И УХОД ЗА ЭЛЕКТРОИНСТРУМЕНТОМ**
    - a) **Используйте подходящий электроинструмент для вашей работы.** Правильный электроинструмент сделает работу лучше и безопаснее, для которой он был разработан.

- b) **Не используйте электроинструмент, если выключатель не работает корректно.** Любой электроинструмент со сломанным выключателем опасен при работе.
- c) **Перед выполнением любых регулировок, заменой принадлежностей или хранением электроинструмента отсоедините штекер от источника питания и / или аккумулятора батареи от электроинструмента.** Такие предупредительные меры безопасности уменьшают риск случайного запуска электроинструмента.
- d) **Храните электроинструменты в недоступном для детей месте и не позволяйте лицам, незнакомым с электроинструментом, или данной инструкцией работать с ним.** Инструменты опасны в руках неподготовленных пользователей.
- e) **Обслуживайте электроинструменты.** Проверьте несоосность движущихся частей, поломку деталей и любые другие состояния, которые могут повлиять на работу электроинструмента. В случае повреждения отремонтируйте электроинструмент перед использованием. Многие несчастные случаи вызваны электроинструментом, который плохо обслуживали.
- f) **Храните режущие инструменты острыми и чистыми.** Правильно обслуживаемые режущие инструменты легче использовать.
- g) **Используйте электроинструмент, принадлежности и т. д. в соответствии с этими инструкциями, с учетом условий выполняемой работы.** Использование электроинструмента для операций, отличных от предназначенных, может привести к несчастному случаю.

## 5) ИСПОЛЬЗОВАНИЕ И УХОД ЗА АККУМУЛЯТОРАМИ

- a) **Заряжайте только зарядным устройством, одобренным изготовителем.** Зарядное устройство, подходящее для батарей одного типа, может привести к пожару при использовании с другим аккумулятором.
- b) **Используйте электроинструменты только с определенными батареями.** Использование любых других аккумуляторных батарей может привести к травме и возгоранию.
- c) **Когда аккумуляторная батарея не используется, держите ее вдали от других металлических предметов, таких как скрепки, монеты, ключи, гвозди, винты или другие мелкие металлические предметы, которые могут замкнуть между собой контакты.** Замыкание контактов аккумулятора может привести к ожогам или пожару.
- d) **В условиях жестокого обращения**

**аккумуляторная жидкость может вытечь из батареи; избегайте контакта с ней. Если контакт случайно произошел, промойте это место водой. Если жидкость контактировала с глазами, обратитесь за медицинской помощью.** Жидкость, вытекающая из аккумулятора, может вызвать раздражение или ожоги.

## 6) ОБСЛУЖИВАНИЕ

- a) **Обслуживайте свой инструмент только с помощью квалифицированного специалиста по ремонту, используя только идентичные запасные части.** Это обеспечит поддержание безопасности работы электроинструмента.

# ПРЕДУПРЕЖДЕНИЯ БЕЗОПАСНОСТИ МАШИНКИ ДЛЯ ПОДРЕЗАНИЯ ЖИВОЙ ИЗГОРОДИ

1. **Держите все части тела вдали от режущего лезвия. Не убирайте стружку или другие налетевшие загрязнители, когда лезвия в движении. Убедитесь, что переключатель выключен при очистке забившегося загрязнителя.** Невнимательность при работе может привести к серьезной травме.
2. **Переносите устройство только в выключенном состоянии. При транспортировке или хранении инструмента всегда устанавливайте защиту на режущие элементы.** Надлежащее обращение с машиной уменьшит возможную травму от режущих лезвий.
3. **Режущие лезвия, контактирующие с проводом под напряжением приведут к поражению электрическим током.**
4. Проверьте инструмент на наличие посторонних предметов, например проволочные ограждения.
5. Используйте обе руки при работе с инструментом. Используя инструмент одной рукой приведет к потере контроля и серьезной травме.

# ОБЩИЕ ПРЕДУПРЕЖДЕНИЯ БЕЗОПАСНОСТИ



**ПРЕДУПРЕЖДЕНИЕ.** Прочтите все предупреждения о безопасности и все инструкции. Несоблюдение предупреждений и инструкций может привести к поражению электрическим током, пожару и / или серьезной

травме.

**Сохраните все предупреждения и инструкции для дальнейшего использования. Прибор должен использоваться только с блоком питания, поставляемым с прибором**  
**ВАЖНО**  
**ПРОЧИТЕ ВНИМАТЕЛЬНО ПЕРЕД ИСПОЛЬЗОВАНИЕМ**  
**СОХРАНИТЕ ДЛЯ БУДУЩЕЙ СПРАВКИ**

## **ПРАКТИКА БЕЗОПАСНОЙ ЭКСПЛУАТАЦИИ** **ОБУЧЕНИЕ**

- a) Внимательно прочитайте инструкции. Ознакомьтесь с элементами управления и правильным использованием машины.
- b) Никогда не разрешайте детям, лицам с ограниченными физическими, сенсорными или умственными способностями или отсутствием опыта и знаний или незнакомых с этими инструкциями людей пользоваться машиной. Местные правила могут ограничивать возраст оператора.
- c) Помните, что оператор несет ответственность за несчастные случаи или опасности, с которыми сталкиваются другие люди или их имущество.

## **подготовка**

- a) Никогда не работайте с машиной, пока поблизости находятся люди, особенно дети или домашние животные.
- b) Перед использованием всегда визуально проверьте машину на наличие поврежденных, отсутствующих или неправильно установленных защитных ограждений или экранов.

## **ЭКСПЛУАТАЦИЯ**

- a) Во время работы машины всегда надевайте защитные очки, длинные брюки и прочную обувь.
- b) Избегайте использования машины в плохих погодных условиях, особенно когда существует риск грозы.
- c) Используйте машину только при дневном свете или при хорошем искусственном освещении.
- d) Никогда не используйте устройство с поврежденными защитными корпусами или экранами или без них.
- e) Включайте двигатель только тогда, когда руки и ноги находятся вдали от режущих элементов.
- f) Всегда отсоединяйте аппарат от источника питания (например, извлеките аккумулятор)
  - При оставлении машины без присмотра;
  - Перед очисткой засоров в инструменте;
  - Перед проверкой или работой с инструментом;
  - После удара о посторонний предмет;
  - Всякий раз, когда машина начинает вибрировать аномально.
- g) Будьте внимательны к режущим элементам, держитесь от них подальше.
- h) Всегда следите за тем, чтобы вентиляционные отверстия очищались от мусора.
- i) Всегда держите равновесие при работе на склонах.

- j) Ходите во время работы, никогда не бегайте.
- k) Не наклоняйтесь и держите равновесие во время работы.
- l) Не прикасайтесь к движущимся опасным частям до того, пока машина не отключится, а движущиеся опасные детали полностью остановились.

## **ОБСЛУЖИВАНИЕ И ХРАНЕНИЕ**

- a) Перед выполнением работ по техническому обслуживанию или очистке отключите устройство от источника питания (например, извлеките аккумуляторную батарею).
- b) Используйте только рекомендованные производителем запасные части и принадлежности.
- c) Регулярно проверяйте и обслуживайте инструмент. Ремонтируйте его только у квалифицированных специалистов.
- d) Когда инструмент не используется, храните в недоступном для детей месте.

# **ПРЕДУПРЕЖДЕНИЯ** **БЕЗОПАСНОСТИ ДЛЯ** **АККУМУЛЯТОРНОЙ** **БАТАРЕИ**





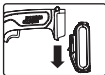



- a) **Не разбирайте, не открывайте ячейки или батарейный блок.**
- b) **Не замыкайте аккумуляторную батарею. Не храните беспорядочно аккумуляторы в коробке или ящике, где они могут замыкаться друг с другом или быть закорочены проводящими материалами.** Когда аккумулятор не используется, держите его подальше от других металлических предметов, таких как скрепки, монеты, ключи, гвозди, винты или другие мелкие металлические предметы, которые могут замкнуть контакты. Замыкание контактов аккумулятора может привести к ожогам или пожару.
- c) **Не подвергайте аккумуляторную батарею воздействию тепла или огня. Избегайте попадания прямых солнечных лучей.**
- d) **Не подвергайте аккумуляторную батарею механическому удару.**
- e) **В случае вытекания аккумуляторной жидкости ни в коем случае не прикасайтесь к ней голыми руками. При контакте с кожей немедленно промойте пораженный участок обильным количеством воды. При попадании жидкости в глаза немедленно обратитесь к врачу за срочной помощью.**
- f) **При попадании части аккумулятора в дыхательные пути незамедлительно обратитесь к врачу.**
- g) **Держите аккумулятор в чистоте и сухом**



- состоянии.
- h) Протрите клеммы аккумуляторной батареи чистой сухой тканью, если они загрязнились.
  - i) Перед использованием батареи ее необходимо зарядить. Всегда обращайтесь к этой инструкции и используйте правильную процедуру зарядки.
  - j) Не храните аккумулятор в зарядном устройстве, когда он не используется.
  - k) После продолжительных периодов хранения может потребоваться несколько раз зарядить и разрядить аккумуляторную батарею, чтобы получить максимальную производительность.
  - л) Батареиный блок обеспечивает максимальную производительность при работе при нормальной комнатной температуре ( $20^{\circ}\text{C} \pm 5^{\circ}\text{C}$ ).
  - m) При утилизации аккумуляторных батарей держите батарейки разных электрохимических систем отдельно друг от друга.
  - n) Перезаряжайте только зарядным устройством, одобренным WORX. Не используйте зарядное устройство, отличное от того, которое специально предназначено для использования с оборудованием. Зарядное устройство, подходящее для батарей одного типа, может привести к пожару при использовании с другим аккумулятором.
  - o) Не используйте батарейный блок, который не предназначен для использования с оборудованием.
  - p) Храните аккумулятор в недоступном для детей месте.
  - q) Сохраните оригинальную литературу по продуктам для дальнейшего использования.
  - r) Извлеките аккумулятор из оборудования, если он не используется.
  - s) Утилизируйте надлежащим образом.

## СИМВОЛЫ

	Чтобы уменьшить риск получения травмы, пользователь должен прочитать инструкцию по эксплуатации
	Носите защиту для ушей
	Носите защиту
	Наденьте пылезащитную маску
	Не подвергайте инструмент воздействию дождя
	Предупреждение: режущие элементы некоторое время продолжают работать после выключения двигателя
	Держите посторонних людей на безопасном расстоянии
	Прибор класса III
	Отходы электротехнических изделий нельзя утилизировать с бытовыми отходами. Пожалуйста, утилизируйте там, где есть соответствующие условия. Проконсультируйтесь с местными органами власти или розничной торговлей.

 Li-Ion	Не выбрасывайте батареи
	
	Не подвергайте воздействию дождя или воды
	Не сжигать
	Перед заменой аксессуаров убедитесь, что аккумулятор снят.
	Носите защитные перчатки.
	Заблокировано
	Разблокировано

## СПИСОК ДЕТАЛЕЙ

1. ЛЕЗВИЕ ДЛЯ ПОКОСА ТРАВЫ
2. КНОПКА БЛОКИРОВКИ
3. РУЧКА
4. АККУМУЛЯТОР \*
5. КНОПКА СНЯТИЯ АККУМУЛЯТОРА \*
6. ПЕРЕКЛЮЧАТЕЛЬ ВКЛЮЧЕНИЯ / ВЫКЛЮЧЕНИЯ
7. КРЫШКА ПРИВОДА, НЕ ТРЕБУЮЩАЯ ИНСТРУМЕНТОВ
8. КНОПКА СНЯТИЯ КРЫШКИ ПРИВОДА
9. ЛЕЗВИЯ ДЛЯ СКАШИВАНИЯ КУСТАРНИКОВ (2 ШТ.) \*
10. КНОПКА БЛОКИРОВКИ НА ТЕЛЕСКОПИЧЕСКОЙ РУЧКЕ (ТОЛЬКО ДЛЯ WG801E.1)
11. ТЕЛЕСКОПИЧЕСКАЯ РУКОЯТКА (ТОЛЬКО ДЛЯ WG801E.1)
12. ПЕРЕКЛЮЧАТЕЛЬ ВКЛЮЧЕНИЯ / ВЫКЛЮЧЕНИЯ НА ТЕЛЕСКОПИЧЕСКОЙ РУЧКЕ (ТОЛЬКО ДЛЯ WG801E.1)
13. БЛОКИРОВКА РУЧКИ (ТОЛЬКО ДЛЯ WG801E.1)
14. ВНУТРЕННЯЯ РУКОЯТКА (ТОЛЬКО ДЛЯ WG801E.1)
15. СОЕДИНЯЮЩИЙ КРОНШТЕЙН (ТОЛЬКО ДЛЯ WG801E.1)

\* Не все аксессуары, показанные или описанные, включены в стандартный набор.

## ТЕХНИЧЕСКИЕ ДАННЫЕ

	WG801E	WG801E.1	WG801E.9
Напряжение	20 В --- Max**		
Скорость холостого хода	1150 об/мин		
Режущая ширина	10 см с лезвием для кустарников		
Режущая длина	12/20см с лезвием для кустарников	12см	12/20см с лезвием для кустарников
Макс. Диаметр покоса	8мм с лезвием для кустарников		
Время зарядки	5 ч	/	

Зарядное устройство	Вх: 100-240V~50/60Hz Вых: 20V= 400mA	/
Вес инструмента: (с лезвием для кустарников)	0.9 кг	0.5 кг

\*\* Напряжение измеряется без нагрузки.  
Начальное напряжение батареи достигает 20 вольт.  
Номинальное напряжение составляет 18 вольт.

## ИНФОРМАЦИЯ О ШУМЕ

Измеренное звуковое давление  $L_{pA}$ : 66dB(A)

Измеренная мощность шума  $L_{WA}$ : 82dB(A)

$K_{pA}$  3.0dB(A)

Наденьте защиту для ушей



## ИНФОРМАЦИЯ О ВИБРАЦИИ

Измеренные колебания

$a_h < 3.6\text{м/с}^2$

Погрешность  $K=1.5\text{м/с}^2$

**!** **ПРЕДУПРЕЖДЕНИЕ.** Значение вибрации при фактическом использовании электроинструмента может отличаться от заявленного значения в зависимости от того, как инструмент используется:

Как используется инструмент.  
Состояния инструмента  
Использования правильного аксессуара для инструмента и обеспечения его остроты и крепкости хвата ручек и при использовании.  
Используется ли инструмент в соответствии с его предназначением и этими инструкциями.

**Этот инструмент может вызвать тремор рук**

**!** **ПРЕДУПРЕЖДЕНИЕ.** Чтобы быть точным, оценка уровня воздействия в реальных условиях использования должна также учитывать все аспекты рабочего цикла, такие как время, когда инструмент выключен и когда он работает на холостом ходу и не выполняет работу. Это может значительно снизить уровень воздействия на оператора за весь рабочий период и помогает минимизировать риск возникновения тремора рук.

ВСЕГДА используйте заточенные лезвия  
Обслуживайте этот инструмент в соответствии с этими инструкциями и хорошо смазывайте (при необходимости)

Если инструмент используется регулярно, то приобретите антивибрационные аксессуары.

## АКСЕССУАРЫ

	WG801E	WG801E.1	WG801E .9
10см лезвие для газона	1	1	1
12см лезвие для кустарников	1	1	1
20см лезвие для кустарников	1	/	1
Батарея	1	1	/
Зарядное устройство	1	1	/
Телескопическая ручка (WA0040)	/	1	/

Мы рекомендуем вам приобрести аксессуары, перечисленные в приведенном выше списке, в том же магазине, где вам продали машину. Для получения дополнительной информации см. на упаковку. Сотрудники магазина могут помочь вам и дать совет.

## ИНСТРУКЦИИ ПО ЭКСПЛУАТАЦИИ



**ПРИМЕЧАНИЕ.** Перед использованием инструмента внимательно прочитайте инструкцию.

### НАЗНАЧЕНИЕ


Продукт предназначен для легкой обрезки кустов и краев газона в быту

### СБОРКА И ЭКСПЛУАТАЦИЯ

Действие	Рисунок
<b>Сборка (Установка/Замена лезвия)</b>	
Снятие лезвия <b>ВНИМАНИЕ:</b> Перед заменой лезвия наденьте перчатки.	A1, A2
Установка лезвия	B1, B2
<b>ПЕРЕД ЭКСПЛУАТАЦИЕЙ</b>	
Проверка состояния батареи (Только для WG801E/WG801E.1)	C1
Зарядка батареи Более подробную информацию можно найти в руководстве зарядного устройства	C2

# Аккумуляторные газонные и кустарные ножницы

RU

Установка батареи	C3
Снятие батареи	C4
<b>ЭКСПЛУАТАЦИЯ</b>	
Запуск и остановка	D
Покос травы <b>ПРИМЕЧАНИЕ.</b> Держите инструмент вдали от твердых предметов. Чтобы сделать более точный срез, слегка наклоните инструмент.	E
Стрижка кустарников <b>ПРИМЕЧАНИЕ.</b> Будьте осторожны, избегайте посторонних предметов. Особенно избегайте твердых предметов, таких как металлическая проволока и ограждения, поскольку они могут повредить лезвия.	F
Работа с телескопической ручкой (Только для WG801E.1)	
Установка/Снятие телескопической ручки <b>ПРИМЕЧАНИЕ:</b> - Прежде чем собирать телескопическую ручку, установите батарею. - Перед работой убедитесь, что телескопическая рукоятка надежно зафиксирована. - Держите руки вдали от выключателя при подключении или снятии телескопической рукоятки во избежание случайного запуска.	G1, G2
Регулировка длины рукоятки <b>ПРИМЕЧАНИЕ.</b> Стопорная ручка используется для регулировки длины телескопической ручки.	H
Регулировка высоты покоса <b>ПРИМЕЧАНИЕ.</b> Телескопическая рукоятка имеет два уровня высоты среза (25 мм и 43 мм).	I1, I2
Запуск и остановка с помощью телескопической ручки  <b>ПРЕДУПРЕЖДЕНИЕ:</b> Не используйте лезвия для кустарников (12 см / 20 см) при работе с телескопической рукояткой.	J

лезвие, ослабленные крепежи и изношенные или поврежденные детали.  
Убедитесь, что крышки и защита не повреждены и правильно установлены. Выполняйте необходимое техническое обслуживание или ремонт перед использованием.

## ОБСЛУЖИВАНИЕ ЛЕЗВИЯ

Всегда очищайте лезвие после работы и периодически смазывайте его.  
Визуально проверяйте состояние режущих кромок лезвия.

Убедитесь, что лезвие закрыто защитным кожухом, когда инструмент не используется.

## ОЧИСТКА / ХРАНЕНИЕ

Тщательно очистите внешнюю поверхность инструмента мягкой щеткой и тканью. Не используйте воду, растворители или полироли. Уберите весь мусор, особенно из вентиляционных щелей.  
Храните машину в безопасном, сухом и недоступном для детей месте. Не ставьте посторонние предметы поверх машины.

## ЗАЩИТА ОКРУЖАЮЩЕЙ СРЕДЫ



Отходы электротехнических изделий нельзя утилизировать с бытовыми отходами.

■ Пожалуйста, утилизируйте там, где есть соответствующие условия. Проконсультируйтесь с местными органами власти или розничной торговлей

## ОБСЛУЖИВАНИЕ

**ПРИМЕЧАНИЕ.** Для обеспечения длительного и надежного обслуживания регулярно выполняйте следующие действия.

Перед выполнением любой регулировки, обслуживания или технического обслуживания извлеките аккумулятор.

Проверьте на наличие явных дефектов, такие как ослабленное, тупое или поврежденное

# Аккумуляторные газонные и кустарные ножницы

RU

# ДЕКЛАРАЦИЯ СООТВЕТСТВИЯ

Мы,  
POSITEC Germany GmbH  
Grüner Weg 10, 50825 Cologne, Germany

Заявляем, что продукт

Описание: **WORX Беспроводная  
газонокосилка**

Тип: **WG801E WG801E.1 WG801E.9**

Функция: **Стрижка травы, триммер и  
ножницы**

Соответствует следующим Директивам,  
**2006/42/EC, 2014/30/EU, 2011/65/EU,  
2000/14/EC с поправками к 2005/88/EC**

**2000/14/EC с поправками к 2005/88/EC**

- Процедура оценки соответствия согласно

**Приложению V**

- Измеренный уровень мощности звука **79.4 дБ (А)**

- Объявленный уровень мощности звука **82 дБ (А)**

Соответствует стандартам,

**EN 60335-1**

**EN 50636-2-94**

**EN 62233**

**EN ISO 3744**

**EN 55014-1**

**EN 55014-2**

**EN 60745-1**

**EN 60745-2-15**

Лицо, уполномоченное составить технический файл,

**Имя: Marcel Filz**

**Адрес: Positec Germany GmbH**

**Grüner Weg 10, 50825 Cologne, Germany**



Suzhou 2018/01/10

Allen Ding

Заместитель главного инженера, Тестирование и  
сертификация

Positec Technology (China) Co., Ltd.

18, Dongwang Road, Suzhou Industrial

Park, Jiangsu 215123, P. R. China





**СТРАНА****ТЕЛЕФОН ТЕХПОДДЕРЖКИ****АВТОРИЗОВАННЫЙ СЕРВИСНЫЙ ЦЕНТР**

Россия

+ 7(495) 221-4625 доб.106, 107,108

Ленинградское ш., вл.29г,г.Химки, Московская обл., 141408, Россия

**EAC**

<b>Производитель:</b>	<b>Место производства</b>
Позитек Германия ГМБХ, Грюнер Вег 10, 50825 Кёльн, Германия	
Позитек Технолоджи КНР Ко.Лтд Номер 18 Донванг Роуд, Сучжоу Индастриал Парк, Сучжоу, Джиангсу, КНР	√

Импортер: ООО «Дистрибьюторский Центр Юнисоо», Ленинградское ш., вл. 29Г, г.Химки, Московская обл., 141408, Россия

Срок службы 6 лет.

**WORX**  
it's your nature

[www.worx.com](http://www.worx.com)

Copyright © 2018, Positec. All Rights Reserved.  
AR01343501